

PACK RATS' CHEESE BITS



MT. AIRY V.H.F. RADIO CLUB, INC., PHILA., PA.

(50.2, 144.2, 221.4, 432.2 & 1296.4 MC.)

CLUB CALL: W3CCX

AFFILIATED MEMBER: AMERICAN RADIO RELAY LEAGUE

EDITOR: HELEN BRICK, XYL, W3SAD

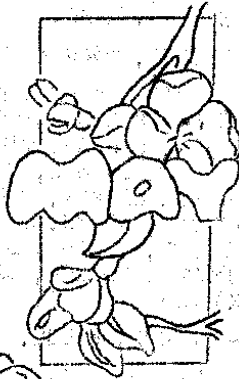
MEMBER OF: AMATEUR RADIO EDITORS' ASSOCIATION

A
R
E
A

VOLUME VI

NUMBER 2

(Meeting notices;
last page)



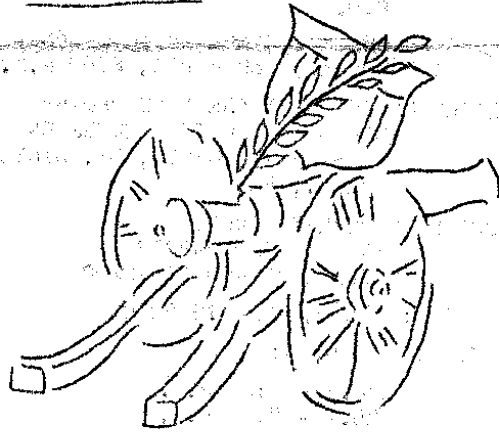
1963

12TH

30TH

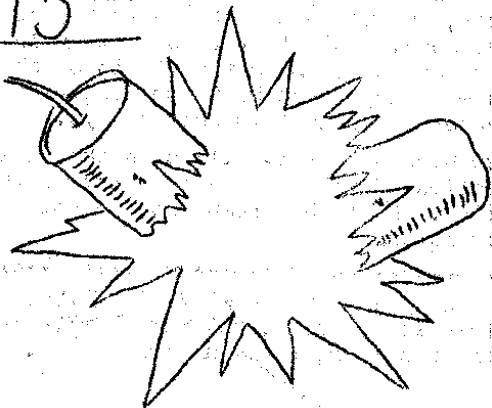


MOTHER'S DAY



MEMORIAL DAY

15TH



HAPPY
BIRTHDAY TO
THE PACK RATS-
1956 ~ 1963

CHEESE BITS IS PUBLISHED MONTHLY BY THE
MT. AIRY V.H.F. RADIO CLUB, INC., MT.
AIRY, PHILA., PA.

SUBSCRIPTION RATE TO INTERESTED PARTIES
IS 10¢ a COPY OR \$1.00 a YEAR.

WE OPERATE ON A EXCHANGE BASIS WITH
OTHER PUBLICATIONS AND ANYTHING PRINTED
IN "CHEESE BITS" MAY BE REPRINTED IN
OTHER PAPERS, UNLESS SO STATED, AS
LONG AS PROPER RECOGNITION IS GIVEN.

EDITOR: HELEN BRICK, XYL, W3SAO
829 W. Fishers Avenue,
Phila., 41, Pa.
215- DA. 4-7524

CLUB CALL: W3CCX
TRUSTEE: W3SAO, FRANCIS BRICK
829 W. Fishers Avenue,
Phila., 41, Pa.
215- DA. 4-7524

OFFICERS: 1962-1963
PRESIDENT: K3IOU, BERT SOLTOFF
VICE-PRES.: W3LHF, DAVID ZIMMERMAN
REC. SEC.: W3ZRR, RAYMOND WHITEHEAD
COR. SEC.: W2EIF, JOSEPH KILGORE
TREASURER: W3MVF, DAVID BLOCH

DIRECTORS: W3SAO, FRANCIS BRICK
W3HKZ, EDWARD KUSHNER
W3AJF, HORACE DEACON
W2AXU, JOHN POWER
K3CIV, RALPH HERSH
(EX-OFFICIO)

MEETINGS: DIRECTORS', the second Wed-
nesday of each month 8:00
P.M.

GENERAL, the third Wednes-
day of each month, 8:00 P.M.

MEETING PLACE: WEST OAK LANE JEWISH
COMMUNITY CENTER, SEDGWICK
& THOURON STREETS, MT. AIRY,
PHILA., PA.

COUNCIL REPRESENTATIVES:
W3AYG, JOHN HARRIS
K3LBT, ALFRED OBEINLAND

VHF, PAM: W3SAO, FRANCIS BRICK

MONDAY NIGHT NETS:

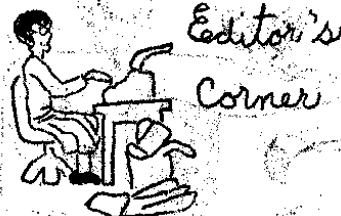
144.2 - 8:00 P.M.
50.2 - 9:00 P.M.
221.4 - 10:00 P.M.
NITWIT: 50.2 at approx.
10:15 P.M.

NET CONTROLS:
144.2 - W3SAO, Frankie
Alt. W3FSC, Ossie
50.2 - W3CL, Harry
221.4 - W3KKN, Ernie
NITWIT - W3SAO, Frankie.

CERTIFICATE CHAIRMAN:
W2EIF, JOSEPH KILGORE
#5 Sunnybrook Court,
Stratford, New Jersey

WE GOOFED

- 1 - We have four (4) not three (3)
father and son combinations.,
K3CIV, Ralph and W3IXL, Ellis.
- 2 - K3OBY's XYL is Amelia, not Alice
- 3 - The numeral 7 should follow the
exchange of K3IPM & W3GEC.



TWO METER SLANDER

Rumor has it that The Pack Rats are
not on Two Meters, and certain mem-
bers have been telling the DX boys
not to work certain Rats as they are
only on during Contests and Nets.

To help dispell this rumor we present
the Two Meter Contacts of one Pack Rat
for the month of March. * indicates
other Rats.

3/3 - K3PXA, W3MVF*, K3LBT*, K3KUB,
K3DJL, W2JAO, K2SWZ, W3LML,
WA2EMB, W3HC, K2BNK and W3IBH*

3/4 - K3OBY*, W3MVF*, W3FSC* & W3CL*

3/16 - KN3TZF, K3PXA, K3MLI, K3QBD/3.
K3MBR, K3KUB, W1MEH, W2EIF*,
K3MTK, W3FSC*, W1RJA, W2CQB/2,
WA2VDO, WA2WIL, WA2DJT/2, W3ZEY*,
W2ABQ, WA2KOK, W3CL*, W3HFY*,
KN3WQB, K3HWX, W3BS, K3MBQ, W3UCA,
WA2WCT, K3QAS*, W3BBC, K3QMK,
W3MVF*, KN3WQC, WA2TOV, WA2EMB &
K3OBY*

3/24 - WA2CHN, K3DJL, W3IBH* & W2JAO

3/26 - W3HYO*, W2IIA, W3IBH*, K3KKN*,
K3KUB & K3DJL

3/31 - KN3WQC, KN3WQB, W3ARA, K3JPB,
K3OBY* & K3RCV*.

OK, so you say six days aren't very
many out of 31 so thats 25 days left
over. Now, out of those 25 days he
has 4 meetings to attend, so that
leaves 21. Out of the 21 days, 8 are
spent in family visitations, 1 a week
to my mother's and 1 a week to his
mother's, and that leaves 13 days.
Out of those 13 days he spends about
4 for social events which narrows it
down to only 9 days.

You will now ask, "Why isn't he on
Two these nine days?" Well, 1- he is
not a one band operator, he is also on
Six and 220. 2- he spends time build-
ing and aligning new equipment. 3- he
spends time helping others to get on
the air, and 4- he does just like to
take it easy once in a while.

There are the activities of just one
Rat, and we know that others are just
as busy. Note that we didnot include
the Monday Night Net contacts which is
4 more days that he is on Two, so the
actual time left is only 5 days.

We hope that this will stop the foolish
antics of telling others not to work
them. Let's be grown-ups and not
children.

GOOF # 4 - Change K3TYW to K2TYW.
This is no goof, but remove W3IBH's
phone number, it is no longer his.

A number of the boys leave their 220 rigs on as an inter-com. One night when K3IUU, Bert came home from work, Harriet, his XYL, told him to get down to the rig right away as W3CL, Harry, was down there and was talking to someone for over an hour and she had no idea of how he got into the house. Harry, shame on you scaring the life out of poor Harriet.

K3OBY, Jim and K3HSS, Charlie are next door neighbors, and so not to be outdone by each other, they each sent a member of the family to the hospital. Amelia, Jim's XYL and Charles, Charlie's Jr. Op. They are at home now and we wish them a speedy recovery.

K3LOM, Harry, really has dog trouble. At one time the dog followed them 10 miles to the store and on the way home he was politely eating the cookies; 26 out of 28. He redeemed himself by blocking the stairway to prevent a 2 year old child from falling down the stairs.

Then there's the other time that he paid a visit to a boy scout camp (the dog, not Harry) and he was brought home in a police car, sitting on the back seat as proud as punch. It seems he had himself a ball at the camp. He ate 24 eggs and 4 cans of baked beans. Harry replaced them and added ice cream in extra payment.

W2EIF, Jo, is buying Susie a Cherry-wood bed with a canopy for their 27th Wedding anniversary. (Susie bought it and gave him the bill.)

At the Reading Radio Club Banquet some of the boys received a "TVI Log Sheet" You know, those sheets that you write on with a stylus and just lift the page to erase it, that's what a TVI Log Sheet is. When you are accused of causing TVI you just lift the sheet and say, "See, I wasn't on."

W2KZF, Glen, from Lake Lackawana, is looking for Pack Rats to earn his certificate. (Frankie, you didn't say whether he is on 2 or 6!)

K3NCC, Kelly, has the distinction of having his station pictured in the 1963 Handbook.

K3IUZ, John is now mobile with a G 50.

W3OR, Alan, is now mobile. He has made 124 mobile contacts since Nov. He has also worked 23 Pack Rats, mobile. He earning his certificate the hard way.

K3KVS, Jerry is also mobile. Looks like there will be more Rats on wheels than in the "sewers". Hi.

K3ESL, Ben seems to be having hospital troubles also. His sister and his mother-in-law both. May we wish them a speedy recovery.

Have you been wondering what has been happening to W3BYB, George, lately. We'll print his letter so you can see for yourself.

Hiyah Helen & Frankie:

I just received my "Cheese Bits" which reminded me I had better pass along the word that I haven't deserted or gone C.B., but - well here's the story. I think it is self explanatory:

April 6th, Linda Hopper, K3OPZ and John Kuhn (no call yet) will be married

June 22, Mary R. Hooper, K3BCI and Bob Pabst, K3ORT, will be married. (There goes Field Day)

August 24, George A. Hooper, Jr, W3AML and Kay Hendricks (no call yet) will be married.

HOLY COW! - Engagements, Showers and Receptions - well, we always did do things in a big way out here in the stix of Dresher, Pa. - No, the family is not shrinking down to just three kids; it is increasing to nine and you can bet the code classes are starting up again in Dresher.

We have a couple more "Picnic Shirts" to make for this summer. Incidentally all those Black Shirted Hams you see every year at the picnic are not WENS like you may have thought, they are just the Dresher Gang and their friends who hang out day and night on 50,875 Mc.

I can't say I'll see you soon, but I will say I'll see you later, as soon as everything calms down.

Lots of ruck to you too!

73 & 88.

George, W3BYB & the Gang

P.S. - the 88's are not for Frankie.

We leave it up to you to decide, are they a ham family or not; W3BYB, Geo, W3SBE, Fran, K3BCI, Mary, W3AML, Geo, Jr., K3OPZ, Linda and K3BDV, Arlene. They are just the Hoopers, then you can add K3ORT, Bob to the list after June 22nd.

Congratulations to the Dresher Clan.

We're sorry, K3ACR, Rich and Jorgeans. We didn't say he was going to land, only that he was flapping his wings. How's your rabbit family coming along, Hi.

Here's a little nonsense from K3GOZ, Herm.

HAVE A GOOD TIME

A pump Company received the following letter from a customer:

I ged a pump witch i by from you bud why for heavens sag you doan sen me no handle. i loose to meny customer. Shure ting you doan treed me rite. I wate 10 day on my customer he holler for water like hell for d pump, so you no he is hot summer now an da wind he no blow, wat da hell i goan do wid it. Doan sen me da handle priddy quig i sen her bak an i goan order some pump from other companie.

Goody by, Your truly
Antonia Dutra

P.S. Since I rite i fine da dam handle in da Box; excuse to me plees.

"GRM on 50 MEGS"

By "Snapper Rat"

3-19-63 Well, well, good to hear W3CL Harry, got in on 50 once in a while. His sign-off time was 1917 EST. K3ACR, Rich, was the other speaker. Harry informed Rich that Doc, K3GAS, had come in to his shack (Doc and Harry had business to attend to) No wonder Harry cannot pronounce his vowels, he eats peanuts.

3-29-63 Frank, K2MLB, West Orange, N.J. had a squaking experience. Coming into his shack on night and turning on the power switch for all his gear, he did not notice the indicator light for his rotating (Bertha) tower, was on. Needless to say, he does not have stop switches for the end of the rotation. It didn't take too long until he was hearing squeaking and cracking noises. The coax, 3 of them, and the RG-14 were wrapping around the tower. The coax comes down the tower, under a fence and up to his shack. Luckily he realized what was happening and quickly shut his power down. Damage was minor, the coax had just started to raise the fence from its moorings. Guess what, Frank is now going to install switches to indicate end of rotation and shut the power of this elaborate system.

4-1-63 Why doesn't someone straighten out the station, K3HAH, in Westchester. Many a fellow has complained about it on the air, but it seems that nobody is doing a thing about it.

K3ABK, Sam and his XYL, Ruth have been helping out their daughter and children while the Son-in Law was in the hospital. Understand that one of the children are sick at this time. Sorry to hear this. Congratulations on your 33rd Anniversary, Wedding and work.

4-2-63 K3GTY, Harry, in Levittown, Pa. was having trouble with his gas - the bills were too high. He called in the Service Co. for that area. They checked all connections and the meter held OK. They then proceeded to shut off all valves at his appliances and the meter stopped. Realizing that his bills were too high for two people, the serviceman continued to search for the trouble. Finally he asked Harry to turn on his rig and make a transmission. He did, and the gears and dials on the meter started spinning like crazy. That's one way to build up your gas bill. Hi.

4-3-63 Guess what happened to K3EGP/m Ralph. He made a remark to station X that he had just turned left onto Cottman Street and was headed for the river. He turned the transmission over to Station X who came back with, "Stop Ralph, please stop your car," and broke his carrier. Ralph came back and said he had stopped his car but why did

Station X exercise this procedure? Station X answered, "Please check to make sure that you have your paddles ready since u r heading for the river." A hesitation from Ralph, then a big laugh and the comment; "Oh my aching back, I'll never live this one down."

Like to say hello to a few new Happy Mobileers. K2MGZ, is he hot and to W3OR, Alan. Look out for a new Pack Rat on wheels; W3AYG/m, John - yes and he puts in a good signal.

The only wish of W3IA, Tom is to be shot by a jealous husband at the age of 106.

Good Luck, Jule, K3MSV, your C.W. is progressing in speed and quality.

W3ZRR, Ray, answered Jule one evening about 8:45 P.M. and of course Jule gave R y a 5-9-9. The trouble with Jule is, he doesn't tune. A New York station came back to him the second time he called CQ. Open your ears ole buddy.

4-14-63 K3HWE and K3GWG having a spectacular game of chess. Kings & Queens are leading, Jacks are for raising cars. The Pawn sure was not master of that game. K3HWE, a good sport, was being taken for a ride with blank checks. You sure know he did not win the game.

"SWAP & SHOPPE"

Conducted by: W3ZRR, Raymond Whitehead
4534 N. Smedley Street,
Phila., 40, Pa.
215- DA. 4-5910

INFORMATION WANTED about a B C 348-BFD Unit for SWL, Mellore

Booklet on RCA Channelyst - UHF Converter covering 1.6 to 80 Mc's in four bands with 6AC7, 6SA7, 6SJ7 and 6X5 - for the club.

SEND ALL INFORMATION TO:
AMATEUR RADIO CLUB,
B.E.L. ESTATE,
BANGALORE, 13, INDIA

WANTED: S 102

CONTACT: K3EGP, Ralph Blakemore
70 Upland Road,
Levittown, Pa.

FOR SALE: 6 Meter Silver King Converter \$35.00
2 Meter Silver King converter \$35.00
6 Meter Ameco preamp \$7.50
2 Meter Ameco preamp \$7.50
50 watt Black Widow 6 meter transceiver with AC & DC power supply \$200.00

CONTACT: K3LBT, Alfred Obenland
99 W. Roselyn Street,
Phila., 20, Pa.
215- HA. 4-7986

(Next page)

FOR SALE: Moseley Tribander 33A Junior.

CONTACT: W3FSC, Oscar Jacoby
1618 E. Barringer Street,
Phila., 19, Pa.
215- WA. 4-8913

WANTED: Small sized, good quality receiver. Had to sell larger one because of space factor.

CONTACT: K3UHW, Marty Middleman
27 Hyacinth Road,
Levittown, Pa.

FOR SALE: Communicator III

CONTACT: K3CMS, Herbert Sheiman
7940 Algon Street,
Phila., 15, Pa.
215- PI. 2-6633

NEW PRODUCTS OF INTEREST
TO HAMS

By W3NSI, Lynford Rowland, Jr.

1. Heathkit SSB Transceivers

Heathkit Co. will produce a Single band SSB Transceiver for 75 M (# HW-12) due for introduction in June of this year. It will be followed by a unit for 40 M (HW-22) and 20 M (HW-32), in July and August. The Transceivers are phone band only, Push to talk or VOX, and run 200 Watt PEP input. Weight is 12 pounds, and the unit measures 6" H x 12" W x 10" D. A crystal filter is used for SSB operation on one side band only. This would mean upper SSB on 20 M and lower on 80 & 40 M.

Price - \$119.95
Power Supply AC - HP-2 - \$39.95

2. Gas Generator unit

Zeus Generator Div. of Antenna Specialists Co. has added a new 1KW unit to the line of ASP Portable power units manufactured by that company. It is being sold by Heathkit Co. for about \$167 and the Lafayette catalog lists it at \$147.13 (may be available from the Camden Store) Unit weight-63 lbs, engine is single cylinder 2.5 HP 4 cy 3600 RPM. Generator unit uses Permanent Magnet Alternator (no brushes, rings or armature winding). Unit will run for an hour on one tank of gas (quart).

Zeus Generator Div.
Antenna Specialists Co.
12435 Euclid Ave.,
Cleveland, 6, Ohio

144-----"QRZ TWO METERS"-----148

By K3KKM, Elmer Smalling
(Woody)

Well it's been an eventful month for this ham. For a long while now I've been trying to schedule a ladder and aid for an antenna party of a minor sort, but conditions had to be favour-

able -(Landlady away, wind below 30 mph, ladder long enough, etc.) and that they were last Saturday! The new beam is operating fine and dandy,matched and all, so I thought I'd be able to give you fellows a report a little more extensive than usual but-----, as the old saying goes; "You can't have your cake and eat it." and if we may paraphrase, "You can't have your signal and read it." Twelve hours after the beam was cutting wind, and after a few A-OK tests were initiated, on came a noise ten DB over nine, which is still with me to this very moment. With the much appreciated help from some of the boys, I'm gradually getting somewhere on locating it but, as yet, do not know what or where it is.

It looks like two meters is picking up again for the warmer months. With a great deal of increased activity from the Phila., N.N.J., area. Mal, WA2PPT, White Meadow Lakes, N.N.J. (35 miles NW of N.Y.C.) reports hearing most of the gang on two throughout the year and is always looking for a Philly contact. Tex, K2KQI, near Phillipsburg, has been on pretty regularly and he too is looking for Phila. stations. Tex usually has problems because when our beams are on N.N.J. or N.Y. they are at least 30 degrees east of him. W2MYR and W2YXS of Long Island, have been in there a few nights with fine signals also.

From the Phila. area, we have two new tweers. (Two meter ops, not the Heath product)- Kn3WQE, Rick, in Roxborough and George, KN3YBB, also in the hills of Roxborough. W3HYD, Len, W3SAD, Guess Who?, W3IBH, Guess Who again, and K3KUB have kept the city side of the band pretty active.

If its skeds your interested in:

K2KBP, Al, in Albany, N.Y. would like to work W3's. Al QSO's with WA2CDJ, John near Asbury Park nitely at the low end.
W8KAY, C.W. is usually on 144.1 with W2BEV, Ernie.

W4VCJ, Dunc, of Ashbourne, Va. and K3JFB, Bill, of Newtown Square, Pa. have worked every nite when both were on (and this is almost nitely) since around this time last year! Both gents run a 3 set-ups too. This good record shows again that Two Meters is good for more than C.A.P.

Last month I promised to delineate some of the technical station improvements and bits of research from folks on Two:

W3SAD, Frankie, has built a new Xmtr final and revamped his VFO since the end of the year.

WA2QZN, Tony, in Basking Ridge, has constructed two tracking antennas for Two Meter operation of the polar variety, and is able to locate a station down to a few degrees at quite a distance. From the resolution of the

beam it looks as if Tony is all set for O.S.C.A.R. III.

K3IUZ, John, in Curley Hill, has built a new direction indicator for his set-up (constant level) and from reports, it works out real fine.

K3KUB, Walt, the "Old Sausage Stuffer", has gone mobile with a real nice commercial rig (no soliciting-Mi) and an 8 element TRX in the truck.

If anyone is working on a project, please don't hesitate to send me the specs.

Well, that's another thirty days gone. Good luck on the band and join the; "Help keep Two from going to the Citizen's Band" drive by keeping those filaments warm.

73, K3KKM, Woody.

Aside to Woody: Sorry I am unable to draw a schmat of Frankie's 6J6 rig, but perhaps I can describe his first set-up in 1951.

"FIRST RIG OF W3SAD, 1951"

TRANSMITTER: Modified 522

RECEIVER: BC 354 (pre-set freq)

CONVERTER: 6J6, tunable dial

ANTENNA: Folded dipole

PHILA. AREC

Under the leadership of W3ELI, George VanDyke, AREC is slowly but surely taking shape.

So far they, the Pack Rats and George, have gotten together and set the freq as 50.2 and the day and time for a net; Monday, 7:30 P.M.

The day and time were picked to co-incide with the Montgomery County net, and the freq is just slightly lower, I believe their's is 50.35, so in case of an emergency the two nets can easily be co-ordinated.

So far W3ELI has two assistant EC's, K3 EOD, Al Boblitt and K3GAS, Doc Cutler. More assistant EC's will be needed so as to spread the work throughout the city.

All members of AREC are urged to get in touch with George, either by mail or landline and have their membership renewed. W3ELI, George S. VanDyke
4607 Convent Street,
Phila., 14, Pa.
Ne. 7-8329

A meeting has been called for Wednesday, May 1, at 8:00 P.M. at the QTH of K3GAS, Doc Cutler, 7815 New Second Street, for the purpose of getting the net started. Any member wishing to attend should get in touch with Doc at ME. 5-1078.

We publicly would like to thank W4IYT, Andy Clark, Editor of "Florida Skip", for sending us a second copy of Florida AREC Set-up, which we immediately gave to George, and he is ever so grateful. He says that is just what he needs to

get things rolling in Phila. Thanks again, Andy.

See, they say you can't fight City Hall when you don't like something, but me and my big mouth "dood it", or I should say, "me and my crazy-mixed-up typing fingers dood-it."

We'll have a further progress report on AREC next month.

HIGHLITES OF APRIL MEETING

A Welcome was extended to our visitors; W3ELI, K3DUW, K3WEU and others. (Frank forgot to write them down, but I know those three were there.) and K3DLS, just remembered he was there also.

HAPPY BIRTHDAY TO THE FOLLOWING RATS: W3SMK, Jim; W3DJV, Fred; W3GLI, George; K3ESL, Ben; W3GXB, Bob; K3IPM, Stan; K3KKM, Woody; W2SXO, Bill; W3VGN, Harvey; W3HFY, Hal; K3NEN, Kelly and K3CHN, Seymour. (Boy, it really showered in April, didn't it.)

(K3IPM, Stan, had to leave as his XYL, Barbara, who is expecting, called and asked him to come home as she wasn't feeling well. Hope all is OK.)

Building Fund Report: Grandpop Bill announced that the date of the trip to ARRL Headquarters is June 29 and he has the tickets. He will also take the Model Building to the Bucks County A.R.C. Banquet on May 4. He also requested Mother Rat to make some flyers and mail to the local clubs, and surrounding-area clubs. This has been done. 30 flyers have been sent out to clubs, local radio stores, the Phila. Inquirer, a local radio station and a neighborhood paper. Extra flyers are in the hands of Grandpop Bill just in case I missed any club. The Deadline for reservations for the trip is; JUNE 20.

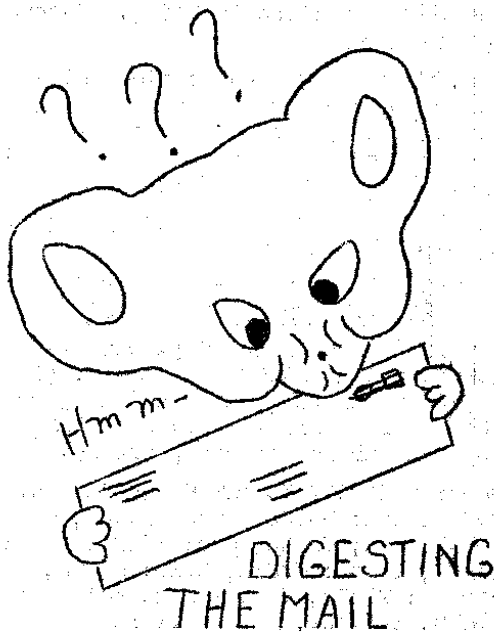
Our speaker; W3HFY, Hal, gave a most interesting, as well as complicated, talk on "Large Antennae for Deep Space Communications" along with Government declassified color slides.

The reason we say complicated, is that we are used to 10-over-10, 8, 6, 4 & 3 element beams and, perhaps a 6' dish, but he showed one dish which is so large it has to be transported on a flat car. Can't you picture that 30' above your roof, or in your backyard? Thanks, Hal.

We hope that all of you have paid your dues, because next month we have nomination of Officers for 1963-1964. To be eligible for Office, to nominate or vote, YOUR DUES MUST BE PAID!

THANK YOU

W4IYT, Andy Clark, Editor; "Florida Skip" for your message of April 9, wishing "Choose Bits" a Happy Birthday. Message received from W3LC, Kenneth Hahn.



OFFICIAL BULLETIN NR 890 FROM ARRL HDQ.
MARCH 21, 1963

TO ALL RADIO AMATEURS BT

With the increasing FCC citations, as noted in April QST, and OO observance of phone splatter, key click, and out of band operation, all amateurs are urged to examine their own signals as well as give honest direct critical signal reports. Application for Official Observer appointment is invited from experienced amateurs of General or higher class license. Official Observers are needed to expand the work of sending friendly advisory notices. Those qualified are invited to apply to their SCM for an OO appointment.

AR

(Ed. note: See next page for helpful hints from the ARRL.)

OFFICIAL BULLETIN NR 891 FROM ARRL HDQ.
MARCH 28, 1963

TO ALL RADIO AMATEURS BT

As an aid to continuing improvement of efficiency in operation and increased enjoyment of our hobby, all amateurs are reminded of the continuing availability of operating aids from ARRL. Convenient cards illustrating the use of ending signals, the ARRL phonetic alphabet, time conversion to GMT, net signals and a DX code may be obtained without charge from the ARRL Communications Department, 38 LaSalle Road, West Hartford, 7, Conn.

AR

OFFICIAL BULLETIN NR 892 FROM ARRL HDQ.
APRIL 4, 1963

TO ALL RADIO AMATEURS BT

All amateurs located in the ARRL field organization, individuals as well as clubs and groups, are invited to participate in the annual Field Day June

22 and 23. This annual exercise of emergency powered equipment is the ideal time to test gear such as generators, batteries, mobiles and portable rigs. Concise log forms and summary sheets are now available on request from the ARRL Communications Department, 38 LaSalle Road, West Hartford, 7, Conn. Official rules will appear in June QST.

AR

From "Break-In", Five Towns Radio Club, Long Beach, L.I., N.Y.

New members to add to the list for their award. K2GGJ, Jody Colvin, Ed.

WA2VPJ, Harry Brose
WA2NEZ, Henry Halley
WA2RYH, Henry Vanderbeck
WB2ASA, Herbert Gessell
WN2GDU, Irving Davidson
WA2GGJ, Charles Consaul
WA2QJB, Richard Sussman
WB2ASQ, George Farndell
K2CRN, George Markowitz
WA2JUG, Robert Saunders
K2I3L, Larry Moreno
K2I3P, John Moreno
WN2EUL, George Lindley
WA2RKK, Paul Coreste
WN2FGQ, S. Hirsh
WA2YYB, Dave Weingold.

THE 1000 MILE CLUB

Sponsored by the Raritan Bay Radio Amateurs, Sayreville, N.J.

Membership in the 1000 Mile Club will be granted to any licensed amateur in the world who can meet these requirements.

Contact must be made on a frequency above 144 Mcs, over a distance of more than 1000 miles. (Marginal entries will be confirmed by solution of the spherical triangle.)

Complete the application with as much detail as your information permits.

Give locations in latitude and longitude, if known.

Under "Special Equipment" include, recorder, automatic keyer, bandwidth limiting devices, etc.

If you are looking for a schedule, a partner for an impossible project, a special component for the special rig, mention it under "Remarks".

Do not send proof of contacts unless requested.

A fee of \$1.00 must accompany application.

Members will receive

1. A certificate, suitable for framing, documenting the contact.
2. A periodic bulletin reporting the membership and pertinent data supplied by members.

(Cont'd two pages over)

WIDEN BANDS BY EFFICIENT OCCUPANCY INSPIRE GOOD OPERATING BY EXAMPLE

The AMERICAN RADIO RELAY LEAGUE in view of increasing congestion in our limited frequencies, urges upon all amateurs a generally strict observance of the following principles, and some suggested operating procedures. ...

MAKE

a proper choice of the bands below 30 Mc. for the DISTANCE to be covered.

ACHIEVE

equipment flexibility. Build, acquire, arrange equipment and station controls so you have a choice of all the frequency bands; make provision for changing Power quickly as well as Band.

USE

minimum band width, consistent with good engineering practice, and compatible with the mode of transmission being employed.

EXPAND

your use of v.h.f. for LOCAL contacts wherever possible. Aim to conduct SHORT DISTANCE communications in this part of our frequency spectrum.

ADJUST

to minimum power necessary to your communications. (Sec. 324, Comms. Act.)

IN OPERATING

LISTEN

with care before transmitting and in the course of making contacts to minimize conflict in channel use.

BE BRIEF

and this will make contacts with you a pleasure. Whether c.w. or voice is used, be concise; avoid monologuing or speech-making to make on-the-air work more pleasurable.

DUMMY ANT

should be switchable for tune-ups. Keep unnecessary testing and transmitter-adjusting for resonance, or output, off the air.

USE VOX

or break-in c.w. Such operation will raise the effectiveness of your time on the air, and the efficiency of your exchanges of intelligence with other amateurs.

SWITCH

to the band best adapted to your DX purpose. Avoid unnecessary use of DX frequencies for short distance contacts.

USE

minimum power and band width, as required by regulations, with respect to the authorized mode you are using.

MONITOR

preferably with gear that directly samples your on-the-air signal. This aids c.w. keying and detection of any defect. Scope monitoring and receiver checks* are recommended, to avoid flat-topping, splatter or over-modulation effects.

FOR A CLEAN SIGNAL

CHECK *

the operating conditions at regular intervals. Re-check transmitters for harmonic suppression, freedom from c.w. clicks or chirps, or gain control or other limit points which splatter, flat-topping and spurious effects occur.

*For reference:

- 1) How to Run Your Linear (On avoiding spurious radiations). Nov. '62 QST, page 11.
- 2) Looking at Phone Signals; the Receiver as an Analyzer. Pages 46-49 Dec. '62 QST.
- 3) Checking Signal Quality with the Receiver (Test Set Up & Dummy Ants.) Page 34, March '63 QST.
- 4) Testing Your Keying, Pages 245-256, The Radio Amateurs Handbook ('63)

FOR LOCAL CONTACTS USE LOCAL FREQUENCIES: BANDSWITCH! MAKE OPERATIONS CLEAN-COURTEOUS-CONCISE, PASS ON ACCURATE HONEST SIGNAL REPORTS. INCLUDE TACTFUL MENTION OF ANY SIGNAL DEFECT

The above is from the ARRL CD BULLETIN, Spring, April, 1963

THE 1000 MILE CLUB (Cont'd)

If you are accepted for membership you will be in good company and you deserve to be. The purpose of the award is to recognize and document the advances made by the most earnest of the VHF men and to disseminate information among them.

We, the Raritan Bay Radio Amateurs, hope that you will profit by your membership and we will work towards that end.

Thank you for your interest,

Raritan Bay Radio Amateurs,
W2TTM, VHF Moderator,
90 Luke Street,
Morgan, N.J.

(Ed. note: The preceding information was sent to us by WA2CHN, Horace Clark, and he subscribed to "Cheese Bits". Please note his address; 12 Cheesequake Road. What an address, for receiving "Cheese Bits". Hi.)

From the Phil-Mont Mobile Radio Club.

March 20, 1963

Dear Mr. Soltoff:

We of the Phil-Mont Mobile Radio Club invite you, your club, and your friends to be guests of Phil-Mont. We will have an exceptionally fine program at the regular May Meeting. The program is "Wave Form Behavior." It will be so simple that even the beginner can learn much, and the old-timer or the engineer will improve his knowledge of this comprehensive subject.

You will see before your very eyes, demonstrations of resonance, reflection, impedance matching, standing waves, phase change, interference, transformer action and others.

The subject will be presented by Mr. Lou Gagliardi, Assistant to Administrator for the Museum Education, at the Franklin Institute.

The time is 8:00 P.M., May 6, 1963. The place is The Franklin Institute, 20th and The Parkway; use the Winter Street Entrance to the building, and from there go to the Lecture Hall.

There is no charge for this program. We encourage clubs to come as a group. Bring your friends. The Lecture Hall will seat three hundred and fifty people; let's fill it with Hams.

BCNU, 73,
Lloyd, W3COY,
Program Chairman

OFFICIAL NEWS RELEASE
From Walter Ermer, Sr. W8AEU
AREA Public Relations.

ARRL NATIONAL CONVENTION

Cleveland, Ohio - Oct. 4-5-6, 1963

Vacation planning time is here! Be

sure to set aside a few days to attend the 13th National ARRL Convention October 4-5-6, at Cleveland, Ohio. Cleveland is a great convention city with many attractions for all members of the family. Those of you coming long distance are fortunate indeed as the countryside will be decked out in its most beautiful fall colors.

Convention headquarters will be in a brand new section of the Sheraton-Cleveland Hotel with spacious quarters for our exhibits and sessions. Adequate living quarters are available right in the same building that will please the most exquisite taste, yet economical enough for those who are saving for a new piece of gear.

An extensive program is being planned that will keep you busy, no matter what your interest is in amateur radio. Just a few of the program participants are: Herbert Hoover, Jr. president of the American Radio Relay League, and other league officials; Clif Evans, founder and secretary of the Certificate Hunters Club; and Ernest Henderson, president of the Sheraton Hotels. Many important amateur groups will be holding sessions at the convention, including: ARRL, CHC, DX FHC, IHHC, MARS, QOTC, QCWA, QRPRC, RTTY, SSB, SWL, VHF, YL.

Thinking of a new piece of gear? No where can you find such a variety of merchandise for your comparison as in our exhibits. Almost all available space has already been reserved by our major suppliers.

All major amateur radio clubs from Cuyahoga County are behind this convention to make it the biggest and best Cleveland ever had. If the convention is a financial success, the committee will donate the surplus to worthy amateur causes, particularly the ARRL Building Fund.

Additional information on rates, registration, program, and accommodations will appear in subsequent articles. All other inquiries should be addressed to Cleveland Amateur Radio Convention Box #5167, Cleveland, 1, Ohio.

HANDS ACROSS THE US, PACIFIC OCEAN INTO INDIA

Just about a couple of years ago, a small article appeared in "Auto Call", the magazine of the Foundation of Radio Clubs, in the Washington, D.C. Area, Edited by W3NL, Ralph Anderson, regarding a request from the Amateur Radio Club in India for any kind of information about amateur radio.

We passed this information along in "Cheese Bits" and also sent them copies each month, at our own expense. Other publications took it up but stopped sending the publication upon no receipt of one from them. As the saying goes, "Patience is a virtue" and "Friendship is golden", we continued to send them "Cheese Bits".

Lo, and behold, on April 6, we received a copy of their paper, "SIRAN", (South India Radio Amateur Newereel).

Now you may say, "That's an awful long time to wait for an answer.", but, we would like to point out, that they did not have a paper before. This was a copy of their first issue (21 pages). In it, they expressed their most sincere thanks to the friends in W3 and VE3 land for their faith in them.

It takes a long time for third class mail to get to India and vice-versa. They mailed theirs on the 21st of Feb, and I didn't get it until April 6.

The hams in India are on all bands so if it is at all possible, send them a copy of your paper.

You will note in the Swap & Shoppe column a couple requests for information from them.

The address is: Amateur Radio Club,
B.E.L. Estate,
Bangalore, 13, India

(Ed. Note: The third class rate of postage to India is \$.05 (5¢) an ounce and 5¢ for each ounce or fraction over. Friendship is worth that much, isn't it? Contrary to what many people might think, it is printed in English. English, in most European and Asian Countries is a compulsory course in the schools. Not only that; India was a colony of England. English is an international language just as is CW.)

From ARRL CD BULLETIN, SPRING, APRIL 1963

W/VE MOBILE REQUIREMENTS

Spring and summer mobiling is just around the corner. Write the DOT or FCC well ahead of your vacation plans to get the required permit. VE's, VO's: Write Sec'y, Federal Communications Commission, Washington, 25, D.C. Before your travels you must notify the teh FCC Engineer-in-Charge of the FCC district in which you will operate. The ARRL License Manual covers all FCC amateur service rules and gives a map and address for all 24 districts.

W's K's: Your permit comes from Department of Transport, Ottawa, Ontario, Canada. This with your license, gets you past customs, makes re-entry a breeze, permits work under Canadian regs; because Canada has no equivalent of our Novice or Tech'n License, only holders of our full-privileges classes of license will be granted permits.

ANY OPERATION PORTABLE OR MOBILE IN WHICH YOU ARE MORE THAN 48 HRS AWAY FROM HOME BASE REQUIRES FCC NOTIFICATION.

Welcome home to W8MBI, Marie Helmin, Editor "Ham Shack Gossip" AREA, from the hospital. Take it easy and keep well. Thanks to W8HUX and W8RZN for getting your copy out for you.

From "HAM SHACK GOSSIP" APRIL, 1963
Submitted by W8HUX.

"I had a letter returned from 'The Continental QSL Club, Dayton, Ohio' marked 'gone out of business'. Just thought I would let you know in case you were thinking of joining."

From "AUTO CALL", W3NL, R.V. Anderson,
Editor. APRIL, 1963

Submitted by W3GCO, Ralph Dersch

The National Capitol V.H.F. Society will hold their annual Hamfest on May 26 at Marshall Hall Amusement Park in Charles County, Md.

LICENSE FEES UP AGAIN: Though industry was vociferous virtually unanimous in opposition to FCC'S proposal to charge for its licensing activities, the FCC staff again recommends adoption of the plan. It is understood that they are putting the following recommendations before the FCC Commissioners:

(2) In safety and Special Services, there will be no fee for.....RADES

(3) For Amateurs, Novice \$2; Modifications \$3; special call signs, \$20; All others \$5

(4) Citizen Band, \$10, except Class A, \$15

Ed. Note. Paragraphs 1,5 - 10 deleted here because not applicable.

(The above is from Andy's Editorial)

From "HAM FAX", K8OLB, Chet Slabinski
Editor, AREA

HAM FAT

First Annual April Fool's
Supplement of Ham Fax

INTEROSITER SERVICING
by D. JONES

The problem of servicing interositers with overrun incanthinum tubes may be greatly simplified if the following procedure is followed. First remove all four top toggle bolts. Next, slip a wire coat hanger around the two braske controls and the biddle stabilizer. This will keep it out of the way. Remove the raunching plate and carefully remove all tubes from the volterator, checking each for proper inendium complex, at least plus 4.

While the raunching plate is off, clean out the vacuum guides and check for excess headwhelp play in the air bearing of the quadrature head. Re-assemble and check positive and negative dissipation across poles.

The use of a chrynascope is recommended for non-sync. interositers.

Days are like suitcases; all nearly the same size, but some people can pack a lot more into them.

From "Florida Skip", March 1963
W4IYT, Andy Clark, Editor

EFFECTS OF 60 CYCLE AC ON THE
HUMAN BODY

The effect of 110 volt AC line voltage has sometimes been misinterpreted by fellow amateurs. The following table list the effects of various ranges of current flow on the human body. Remember that this current is the amount flowing through the body, not the capacity of the power supply. It is calculated by ohms law, and by measuring the supply voltage and the resistance between the two points of contact (or between the one point and ground). The normal or average resistance of humans is quite high; usually above 100,000 ohms; but when the points of contact are wet, or resistance is reduced by any other method, the current increases rapidly.

- 1 ma. or less - no sensation - not felt.
 - 2 - 9 ma. - sensation of shock, not severe
 - 10 - 15 ma. - local muscle contractions, sufficient to cause freezing to the circuit for 2.5% of the population
 - 15 - 29 ma. - local muscle contractions, sufficient to cause freezing to the circuit for 50% of the population
 - 30 - 50 ma. - breathing difficult; can cause unconsciousness
 - 50 - 100 ma. - possible ventricular fibrillation of the heart (a)
 - 100 ma. to 2 or 3 amp - certain ventricular fibrillation.
- (a) Ventricular fibrillation of the heart is a condition in which the heart beats rapidly. It is usually fatal within minutes.

SWITCH TO SAFETY

From "The Tickler", Adrian, Michigan.
WABEQ, Wallace Coble, Editor, AREA

HAMBONES

By WABEQ

This sad story I do relate,
Of a radio ham who now lies in state.
May his name on the annals of history
be
A warning to all who this tale do see.
Ignatz Idoodit, curious lad,
Thought to himself an idea he had
He pattered and fiddled the whole day
through
Making adjustments and coil settings
new.
His missus was frantic, his own son
disgusted,
Ignatz was crying, the PA had busted.
Again the genius, his patience not
waned,
Turned to the mess, all caution dis-
dained.

The papers reported the very day next

Ignatz had passed; he read not his
text.
For him there shall be no luxurious
casket
They picked him up in a two-bushel
basket.

Now for heaven's sake watch your
cotton pickin' High Voltage Supply.

BUCKS COUNTY ARC BANQUET

DATE: MAY 4
TIME: 6:00 P.M.
PLACE: GLEN LAKE INN,
LANGHORNE, PA.
PRICE: \$4.00 PER PERSON
CONTACT: K3HNP, DAVID HELLER
14 Darkleaf Lane,
Levittown, Pa.

From "Harmonics", SJRA, March 1963
WA2GSO, Dick Picou, Editor.

"The President's Message"

"It's enough to make a man swear damn
and call the cat a litch" - "The Old
Man alias Hiram Percy Maxim.

Many years ago, a series of humorous
articles appeared in QST signed by
The Old Man. These articles assailed
poor operating practices, rotten sig-
nals, lousy sending, etc. They made
the novice of those days aware of
his faults and chastised him into be-
coming a better ham. For the incor-
rigible lid, T.O.M. invented certain
diabolical instruments such as the
Wouff-Hong and the Rettyscitch which
were said to be most effective al-
though somewhat gory.

If T.O.M. were around today, he would
still find much to rave and rant about.
Overmodulation, punk sending, key
clicks, drifting VFO's, distortion,
childish antics on fone, improper
usage of phonetics, etc. would surely
draw the ire of T.O.M. With more
amateurs on the air and less avail-
able bandwidth it is imperative that
all of us improve our stations and
our operating procedures. Let's
all clean house and help make this
the Big Year. Otherwise, some dark
night you may find yourself looking
at the business end of an Uggerumph
and be taken for a one-way ride to
Podunk Hollow to be boiled in old
transformer oil.

73,

W2HBE, Bob Dennison

"To get a better education for your
child today, you have to pull wires;
TV, Radio and Hi-Fi!"

"What you are, is God's gift to you.
What you make of yourself, is your
gift to God."

LEHI-V AROUND THE WORLD IN SIX YEARS

From AREA Headquarters

"Through the efforts of the Liga Mexicana De Radio Experimentadores, the Mexican equivalent of ARRL, and the Honorable Thomas C. Mann, Ambassador Extraordinary and Plenipotentiary to Mexico, AREA member #70, Ray E. Meyers (W6MLZ) has been issued the amateur call of XE2MLZ for use on the LEHI-V expedition during the raft's six year venture around the world.

The Marina Radio Club, Box 2112, Torrance, California, is to act as the QSL manager for the LEHI-V, and those who made contacts with W6MLZ/MM on the first leg from Sand Diego to Ensenada, Mexico, who forwarded QSL cards will in return receive a specially designed card being made up by the Redondo Beach (Calif) Chamber of Commerce, sponsors of the expedition.

ARMED FORCES DAY COMMUNICATION TESTS

The Department of the Army, Navy and Air Force are appreciative of the technical skills and operating proficiency of the Amateur Radio Fraternity. The Amateurs contributions to communications training, international goodwill, military morale and recreation, and emergency services are recognized by every echelon of the military services.

In appreciation of the United States Amateur Radio Operator's loyalty and patriotism the Army, Navy and Air Force Annually sponsor a military-amateur radio communication program on Armed Forces Day. The Armed Forces Day program will be held this year on Saturday, 18 May 1963. On this fourteenth observance of Armed Forces Day all amateurs are invited to participate and demonstrate to the world the close partnership and mutual respect that the U.S. amateurs and U.S. Military enjoy.

The military stations will transmit crossband on spot frequencies outside the amateur bands and establish radio contacts with amateurs in the appropriate sections of the amateur bands. This is a test of crossband operations, and contacts will consist of a brief exchange of locations and signal reports. No traffic handling will be permitted.

A CW receiving contest for any person capable of copying International Morse Code at 25 words per minute (WPM). The CW broadcast will consist of a special Armed Forces Day message from the Secretary of Defense addressed to all radio amateurs and other participants.

A radioteletypewriter (RATT) receiving contest for any licensed amateur, individual or station that posses the required equipment. This is a test of the operator's technical skill in aligning and adjusting his equipment, and serves to demonstrate the growing

number of amateurs that are becoming skilled in this method of rapid communications. The RATT broadcast will be transmitted at 60 words per minute and will consist of a special Armed Forces Day message from the Secretary of Defense to all Radioteletypewriter enthusiasts.

Transcriptions should be submitted "as received". No attempt should be made to correct possible transmission errors.

TIME, FREQUENCY AND CALL SIGN OF THE STATION COPIED AS WELL AS THE NAME, CALL SIGN (if any), AND ADDRESS OF THE INDIVIDUAL SUBMITTING THE ENTRY SHOULD BE INDICATED ON THE PAGE CONTAINING THE TEXT.

Entries should be submitted to the Armed Forces Day Contest, Room 58960, the Pentagon, Washington, D.C. and postmarked not later than 31 May 1963.

CW Receiving Contest

TIME	Transmitting Station	Freqs. (KCS)
18 May 1963		
2300 EDST	WAR/AIR Wash. D.C.	3347,6992.5 14405
2300 EDST	NSS Wash. D.C.	3385, 4015, 6970, 7301, 13992

RATT Receiving Contest

2335 EDST	WAR Wash. D.C.	3347,6992.5 14405
	NSS Wash. D.C.	4012.5, 7380, 14480
	AIR Wash. D.C.	7305

Military stations WAR, AIR and NSS will be on the air from 1100 EDST to 0100 EDST on 18 May to contact and test with amateur radio stations.

HAPPY TENTH BIRTHDAY TO NORTH PENN AMATEUR RADIO CLUB.

THANK YOU

We would like to take this opportunity to express our most sincere thanks to each and everyone of you who took the time to either write or call regarding our April issue.

It is most gratifying to know that our efforts are received so well.

From "Directory XTRA News Letter" K6BX, Clif Evans, Editor, AREA

CONTINENTAL QSL CLUB DISASTER

We quote the following Continental QSL Club, "To Whom it May Concern notice" - Quote

"It is with deepest regret that the, stockholders, officers and incorporators of the Continental QSL Club, Inc., must inform you that the club has been forced to cease and desist operations effective Feb. 28, 1963 at 7:30 P.M. EST. (Because of Postal Regulations)

AMATEUR RADIO EDITORS ASSOCIATION

(AREA)

Many times we have been asked by the members and subscribers, just what is AREA. We would like to take this opportunity to explain it by reprinting the following article, which, by the way, also appeared in the Editors and Publishers magazine, the bible of all newspaper and magazine editors. This article was written by K4URX, Steve McCallum, 2nd Vice-President of AREA.

Something new has been added to amateur radio -- a public information service. Long recognized as willing experts in emergency communications, "hams" now are setting up a coast-to-coast network of news outlets they hope will boost the effectiveness of their work.

"One of the weaknesses has been the fact that sometimes public officials, and the general public, are unaware of the facilities and vital services we can offer", said Harry A. Tummonds, W8BAH, Cleveland, Ohio, founder and executive vice-president of the new group. "All too often emergency messages have been delayed-or never even sent-via-over-taxed conventional communication links, and all because officials did not know the ham around the corner could have gotten them through." The organization is called Amateur Radio Editors Association and consist almost exclusively of professional and amateur editors, reporters, authors, lecturers, and public information specialists. He said, "anyone who can write or lecture about or photograph amateur radio's public service activities is eligible to join."

In the course of his work as amateur radio columnist for the Cleveland Ohio-Plain Dealer for the past four years, Tummonds became acquainted with other radio amateurs who write about their hobby and he conceived the idea of a national association of such editorial talent. August 7, 1961 he started the association entirely by mail and by last December had gathered together about 70 members. At the time a code of regulations and by-laws were adopted and mail election held.

Today AREA has nearly 100 members coast to coast, one member in Canada and one in Germany. The association is non-profit with dues of less than sixtyfive cents a month.

Purpose of AREA is to inform the public of the services and facilities available through amateur radio-emergency communications, electronic experimentation (amateurs made the first practical use of VHF and UHF high frequencies), research, international good will, and defense through providing a pool of trained radio operators and technicians. AREA brings this story to its fellow hams and the general public via amateur radio publications and by establishing liaison with newspaper reporters and editors. It has a training program to aid those who desire to write, lecture or photograph amateur radio activities. Members stand ready to gather news in emergencies and other events where amateur radio plays a significant role.

Recently a test of AREA's effectiveness was demonstrated when the Navy Department announced a new Navy MARS (Military Affiliate Radio System) program. Public information through AREA channels helped to bring in, within three months, over one thousand firm applications to this quasi-defense organization. AREA information services also carried news of amateur radio communication facilities aboard some 123 ships and bases in the Antarctica.

Among AREA members are Ernest Henderson, W1UDY, president Sheraton Corp., and author of "The World of "Mr. Sheraton", which contains a chapter about hobbies and amateur radio operation, and William J. Halligan, W9AC, chairman of the board, Hallicrafters, Co., and a former radio editor of a Boston, Mass. newspaper. Advisor to AREA is Stanley Maynard of Cleveland, Ohio, former director of The Research Institute of America. Harry West of the Cleveland Plain Dealer is an honorary member. President of AREA is Henry T. Schneider, W3KPJ, Wesleyville, Pa., editor and publisher of the Tri-State Radio News-Letter, a publication well known to ham radio operators. Many members of AREA are working newspapermen. AREA member in Canada is Len Curzon, VE3EXF, editor of Skyhook for the Skywide Amateur Radio Club of Toronto, Canada. John F. Barrows, DL4HU, editor of ORZ Bulletin for the Bitzburg Amateur Radio Club is the member in Germany.

AREA is developing a vigorous program directed towards informing the general public about amateur radio operations and services and answering questions about this hobby which is free of cost for license and has no age limit for participants. Through AREA's exchange of publications program, local amateur radio activities in California soon appear in ham radio club papers on the east coast. Members furnish amateur radio news to the wire services, the newspapers, TV and radio stations. Several AREA members write amateur radio columns for their local newspapers. Marshall P. Seibert, K3JGX, The Robinson Twp. News, Pa., Ruth M. Broschik, WA8DSF-Chronicle Telegram-Elyria, Ohio.

(next page) -14-

Walter A. Krupp, Editor, Port Clinton Herald, (Ohio), Ray E. Meyers, W6MLZ, Los Angeles-Herald-Examiner, W8BAH, The Plain Dealer-Cleveland, Ohio, and others.

There are close to 300,000 amateur radio operators in the United States. In addition, over 700,000 "Citizen Band" operators have been licensed, many of whom eventually will become amateur radio operators. AREA members reach this group, their families and friends through the ham radio stories they write.

During heavy snow storms in December, Brunswick, Ohio, was declared a distressed area. The only communications in or out was via amateur radio station of Nick J. Lesnick, W8BID. This operator, now an AREA member, wrote the story for his local paper. Another ham radio operator heard a request for help from an AREA member's ham radio station, which was without telephone service. Sheriff's men and ambulance were sent to the isolated home and rescued ten persons suffering from gas fumes. The story was written by AREA member Ruth M. Broschke, WA8DSF and appeared in the local paper and was also reported over radio and TV stations. Members of AREA are introduced, by letter from the executive vice-president to the editors of their local newspapers as persons to contact for news via amateur radio emergency communications facilities.

AREA has four vice-presidents. Eugene Pressler, W3ZXV, club bulletin editor, Norristown, Pa.; Stephan McCallum, K4URX, Owensboro, Ky., former Associated Press Staff writer in Trenton, N.J.; Arthur H. Lynch, W4DKJ, Fort Myers, Florida; and William G. Welsh, W6GVT, Burbank, California, professional writer and recipient of the 1961 General Electric Co., Edison Award, which has been called the Nobel Prize of amateur Radio.

AREA has nine directors, all active editors of amateur radio club papers; Bart Geib, W8WE, "W8FT News", Van Buren Ohio; Marie Helmin, W8 MBI, "Ham Shack Gossip", Toledo Ohio; Warren E. Sladky, W8CTZ, "Guido Lines", Cleveland, Ohio; Roger Kaul, K8BQY, "P.R.C. Bulletin", Parma, Ohio; Helen Brick, "Pack Rats Choose Bits", Philadelphia, Pa.; Ray V. Evans, K7HLR, "Hambone News", Twin Falls, Idaho; Wm. M. Gray, W8AWY, "Bandspread", Redondo Beach, California; Hal J. Gruber, W8MGP, "Mike & Key", Cincinnati, Ohio; and Richard M. Kinnatt, K9VIE, "The Ragchewer", Indianapolis, Indiana. Legal representative is T. F. McDonald, Cleveland attorney, owner and publisher-Brownsville Telegraph, Pa. Harry Tummonds, W8BAH is executive vice-president, and secretary-treasurer.

Headquarters of AREA is at 2073 West 85th Street, Cleveland, 2, Ohio. Membership is open to both amateurs and non-hams who want to write or lecture or photograph amateur radio activities in the public interest.

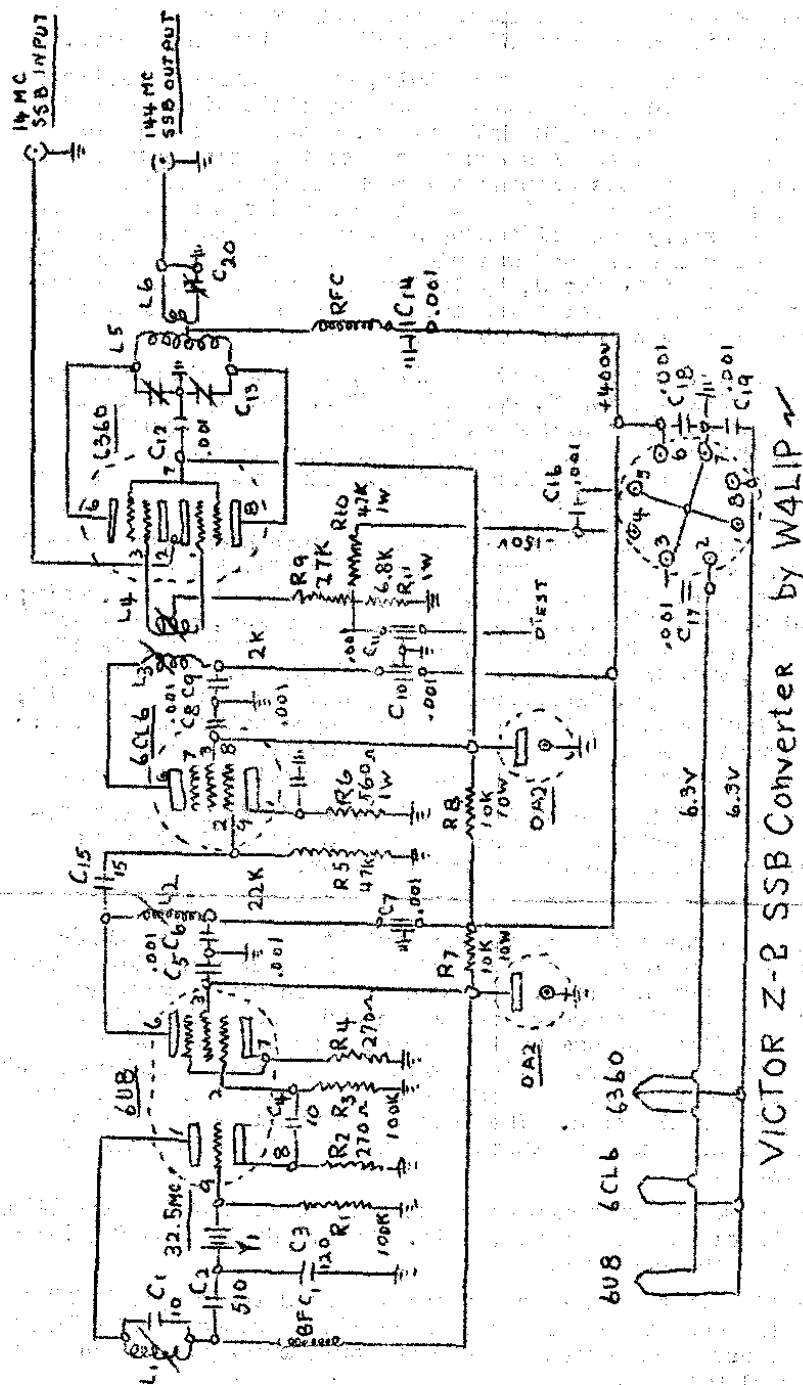
Well, that is AREA. Now you know what it is and what it does. As a member you receive reports from the Pentagon on Navy and Army Amateur radio services along with other electronic publications. Through the exchange program you receive copies of publications that you never even heard about. All of the directors must be active editors of ham publications, they do not have to be hams, but they must be active editors. (I happen to be the only director without a call). As a member you will receive copies of publications, non-members, but interested parties, for evaluation. The main thing you look for is the handle and call of the editor, and from there on you evaluate the manner in which the news is reported.

It may sound strange to some of our non-member editors, but all of the business of AREA is handled via "Uncle Sam", the U.S. Mail. It stands to reason because of the wide spread area of the officers.

AREA is a good organization to belong to as it helps the editor to present the news of ham activities throughout the country. Aside from exchange papers you also receive a News Release from headquarters each month which informs you of what happens to individual members.

To our exchange editors, non-members, we can say with all due authority this is an organization to which no "red, pink, crimson, rose or any other tinted color" has been applied to. AREA has been accepted by the ARRL and the Newspaper Guild as an authentic organization to report the doings of amateur radio for the benefit of the general public. It is also an organization which links together the fraternity of amateurs throughout the continent of North America. It is an organization devoted to enlightening the general public that the ham is not just a source of TVI but a public servant in time of distress; the ham is at their service.

Don't you think that you should be a member? If so contact either myself or W8BAH, Harry Tummonds, 2073 West 85th Street, Cleveland, 2, Ohio.



From "Florida Skip"

March 1963

- C1 C4 - 10 uufd, 500 v, silver mica
- C2 - 510 uufd, 500 v, silver mica
- C3 - 120 uufd, 500 v, silver mica
- C5 C6 C8 C9 C12 C16 C17 C18 C19 C21 - .001 mfd, 500 v, ceramic disc.
- C7 C10 C11 C14 - .001 mfd, Feed-thru
- C15 - 15uufd, 500 v, silver mica
- C13 - JOHNSON 11MB11
- C20 - JOHNSON 160-110
- R1 - 100 k, 1/2 watt
- R2 R4 - 27 ohm, 1/2 watt
- R3 - 100 k, 1/2 watt
- R5 R10 - 47 k, 1/2 watt
- R6 - 560 ohm, 1 watt
- R7 R8 - 10 k, 10 watt
- R9 - 27 k, 1/2 watt
- R11 - 6.8 k, 1 watt
- L1 - MILLER 4500, 17t, #26
- L2 - MILLER 4500, 13t, #26

L3 - MILLER 4500 , 4t, #20
L4 - MILLER 4500, 6t, #26
L5 - 3/8" dia. 6t, #18 bare
L6 - 3/8" dia. 3t, #20 bare

WHAT'S NEW WITH SSB?

By, W4LIP, VIC ZIMINSKI
328 NE, 89th Street,
Miami, Florida

New concepts and new trends are always of great interest to the ham fraternity. Something of special interest is 220, 144 and 50 MC Single Side Band. This is not a passing fancy among either the UHF boys or the SSB gang. Analyzing the results obtained in the Florida area by some of our brave pioneers causes small wonder at the increasing interest in this new form of propagation.

Yes, we do mean propagation. Recent discoveries reveal the VHF and UHF signals arriving via long thermal inversion paths and even some "local" scatter paths have a very high rate of variable refraction which is frequency conscious, causing audio garble beyond recognition. This is thought to be in effect "frequency fold-over", very similar in propagation circles as doppler effect but should not be confused as such, however.

For many years, CW has been excepted as the most reliable mode for identification of UHF and VHF dx-signals. Pulse sequence is used for best Heavyside Layer soundings. Now we find SSB playing a new role, not merely more punch per watt, but greater intelligibility due to inherent narrow band width; apparently the more narrow, the better, provided the voice range is not clipped too severely.

We have asked one of our pioneers in UHF SSB, W4LIP, to give us a short story on his 144MC rig. To do a complete story at this time would probably require a complete issue of Florida Skip, so we decided to take the most important part, his "Z-2 Converter". This is a home built transmitter converter, operating on 32.5 mc, multiplied to 130 mc (4 x Crystal Frequency), mixing with any existing 14 mc. Vic says these units are not available commercially but can be built very easily by most hams. His unit is a thing of beauty and simplicity. Calibration accuracy within 1 kc of the SSB VFO calibration.

Quoting from Vic's notes -- The oscillator is very stable using a 32.5 mc crystal. Cathode output of this oscillator is coupled to the pentode grid of the class A operated 6U8 to improve stability, and adequately drive the 6CL6 to operate as a quadrupler to 130 mc. The 6360 push-pull mixer operating on a resultant frequency of 144-148 mc has a drive requirement of only 45 watts. This is easily obtained by inductively coupling the plate coil of the 6CL6 stage to the grid coil of the 6360 mixer. The Miller coil from bases just touch each other at the base for proper coupling. Both coils are tuned to 130 mc, or the fourth harmonic of the crystal oscillator.

The 14mc VFO injection must be good quality SSB, whether crystal, mechanical filter, or phasing type, and must not exceed the .45 watt output of the 6U8-6CL6 harmonic generator.

This converter has a measured output of 3 watts. This is enough to drive any final push-pull 4x150, 4x250B or 7034 to half a kilowatt. This proved adequate at W4WAQ to drive a Johnson Thunderbolt to a full 500 watts on "two".

The mixer operates smoothly, putting out a clean stable signal. Operating directly into an antenna barefooted will compare with most AM transmitters having at least four times the power output. Forgetting SSB for the moment, this is an easy method of getting in two with the "old 20 meter exciter".

The Z-2 Converter is built on a BUD CU-2190-A chassis, which is only 8" x 6" x 3 1/2". Mount the tubes in a straight line on two inch centers. Wire and twist the filament leads first and run them directly to the power plug in the rear. By-pass carefully at the tube sockets and power plug as shown in the schematic.

For users of the P and H converter on six, you will find this unit has the same plug arrangement and power requirements. Our sincere thanks to W4LIP for this opportunity to bring you the details of this FB unit.

All comments and questions should be send directly to Vic Ziminski. (see address above)

(Rerun from Nov. 1960 Florida Skip)

MEETING NOTICES

MAY 1

PHILA. AREC

A meeting for the purpose of setting-up AREC for Philadelphia will be held on Wednesday, May 1, at 8:00 P.M. at the QTH of Assistant EC; K3GAS, Doc Lutler, 7815 New Second Street, (Elkins Park) Phila., 17, Pa. Members who will be attending are requested to let Doc know by calling, ME. 5-1078.

MAY 8

DIRECTORS MEETING

The Directors Meeting will be held on Wednesday, May 8, at 8:00 P.M. at the QTH of W2AXU, Jack Power, 25 Van Duyn Drive, Trenton, N.J. If, for any reason, you are unable to attend, please call; 609- TU. 2-1040

MAY 15

GENERAL MEETING

The General Meeting of the Mt. Airy V.H.F. Radio Club, Inc., will be held on Wednesday, May 15, at 8:00 P.M. at the West Oak Lane Jewish Community Center, Sedgwick & Thouron Streets, Mt. Airy, Phila., Pa.

The Order of Business will be the NOMINATION OF OFFICERS FOR 1963-1964.

The Social part of the Meeting will be conducted by K3GAS, Doc, who will present color slides of the Pack Rats Picnics and QSO Parties.

More workers are needed for this year's QSO Party, so see either ~~W3AJF~~ W3AJF, Horace or W3SAD, Frankie, Co-Chairmen and offer your services at the meeting.

OFFICIAL BULLETIN NR 893 FROM ARRL HEADQUARTERS:
APRIL 11, 1963

TO ALL RADIO AMATEURS BT

With the concurrence of the U. S. Coast Guard, FCC has cancelled the restriction on single sideband operation which was to have been effective April 15. Sideband emission may thus continue to be used in the amateur segments of 1800 to 2000 kc. Amateurs are notified, however, by the director of telecommunications management that increased requirements for Loran operation include reactivation of the 1900 kc channel which will result in additional restrictions in the gulf area in band segments 1875 to 1900 and 1900 to 1925 kc on or about June one.

AR

VERY LATE SWAP AND SHOPPE

FOR SALE: NC 183D Receiver
Johnson Viking Ranger
Factory Wired and Tested
Globe Hi-Bander
Matching 6 & 2 VFO
Also Assorted parts

CONTACT: K3CMS, Herbert Scheinman
7940 Algon Street,
Phila., 15, Pa.
215- PI. 2-6633

RESULTS OF E. PA. SCM ELECTION

NOMINEE: W3ZRQ, Allen Breiner
212 Race Street,
Tamaqua, Pa.

OPPOSITION: NONE

SCM: W3ZRQ, Allen Breiner

Congratulations Al

(I told you I wouldn't vote for you, didn't I, Al, Hi. No votes were needed)

XYL BOWLING

Any XYL of a Pack Rat, or friends, who would like to form a Bowling Group in the before noon hours, should get in touch with W3TNP, Bert Kenas
2823 Old Welsh Road,
Willow Grove, Pa.
215- OL. 9-3485

She and I talked it over and felt that it would be a good manner in which the XYL's would have a chance of getting to know each other better. The morning hour was suggested so that if you have a child in school, coming home for lunch, you will be at home in time. If you have a pre-school child, and would still like to bowl, an alley providing a nursery for pre-school children will be selected.

If you are interested, get in touch with Bert.