

PACK RATS CHEESE BITS

VOL. II

MT. AIRY V.H.F. RADIO CLUB, INC., PHILA., PENNA.
(144.2, 50.2 MGS and 220)
MAY 1959

NUMBER 2

CONGRATULATIONS

It seems as though April and May are months for celebration. In April we celebrated the first birthday of "CHEESE BITS", and this month we celebrate the third birthday of MT. AIRY V.H.F. RADIO CLUB.

In a discussion with a long time friend, the other night, he was sure that the club was seven or eight years old. He has known most of the fellows for so long that he just couldn't believe that they have been together as a group for only three years.

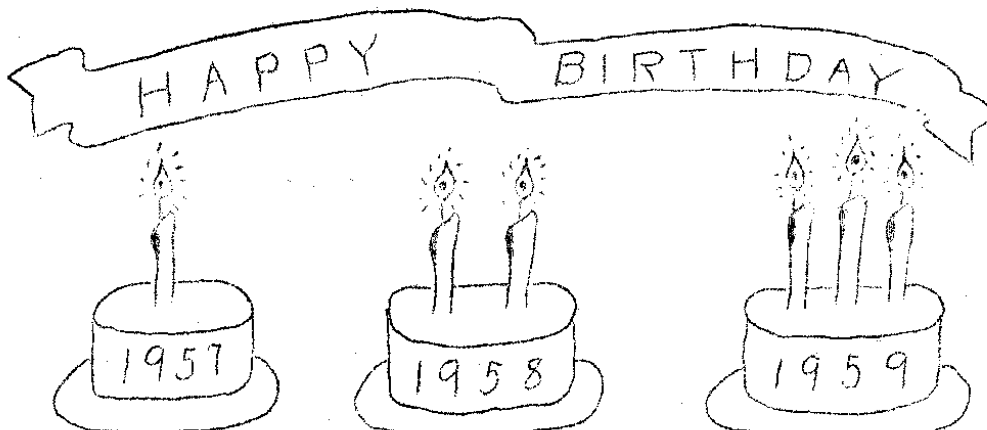
In the three years we have had three picnics, the fourth one coming up this August, three "Ladies Nites"; took out insurance in 1957; became incorporated in August 1958, and participated in three V.H.F. Sweepstakes, 1957, 1958 and 1959.

Speaking of Ladies Nite, some of you remember the first one. It was held on the meeting night at the Chelton Hills Recreation Center, in Mt. Airy. The ladies conducted the meeting and served home made cakes and coffee. We were entertained with movies. A far cry from the later ones, where now the ladies do not have to do anything but enjoy themselves.

In the V.H.F. Sweepstakes we came in third in 1957, dropped to fifth in 1958. So far we do not have the club standings for 1959, but one thing we do know is that Bud, WSTYX, had the highest score in the country for a single operator station. No matter where we stand this year, we want to thank all the fellows who participated

In 1957 we became affiliated with the ARRL, with over 50% of our members also members of the ARRL.

From a beginning of ten hams getting together at the home of W3FSC on May 15th 1956, we have grown to fifty-four members and one honorary member.



MT. AIRY V.H.F. RADIO CLUB, INC.

MAY 15, 1956 ~ MAY 15, 1959

First launchings are scheduled for July or August; a second shoot will take place in Feb. or March 1960.

Recently you may have read that Radar signals have been bounced off Venus, the following are some technical aspects of this feat; The Radar contact with Venus has been called an electronic tour-de-force by the scientists of MIT. The experiment was conducted at Millstone Hill near Westford, Mass. on Feb. 10th and 12th. The 56 million mile round trip was the first two-way contact with a celestial body beyond the moon. The radar operated at about 400 mc with a pulse power of 265 kw. The antenna was a 84 foot saucer-shaped reflector, accurately steerable in celestial coordinates. It was learned that Venus intercepted about $\frac{1}{2}$ w signal. The tube used was a 11 foot klystron. The receiver used a maser-using a crystal of chromium-doped potassium cobalticyanide-achieving a noise improvement factor of 4.

Each navigation satellite will contain 3 TV cameras. These will be used to feed pictures of cloud covers into separate magnetic tape recorders for playback when the satellite is interrogated. Each TV picture will have a resolution of 500 lines per millimeter, every 24 hours a thousand pictures will be produced.

(Ed note.) Since nearly everyone uses the term TECHNICAL EDITOR, I have decided to call Ed our K.U.I. EDITOR. Before you tear your hair out, or turn gray, trying to figure out what K.U.I. stands for I'll tell you. It's very simple; it stands for Keeping Us Informed.

Return pulses were extracted from background noise by transmitting a long train of short pulses with a characteristic time-sequence pattern; recording of signals was done with a high-speed digital computer. For each run a pulse pattern was transmitted for 4.5 minutes, the transmitter shut off, and the receiver output recorded for the following 5 minutes.

Want Ads

A process of "cross-correlation" - comparison of the known pulse pattern with the noisy fluctuations of the received signal-isolated and verified the signal. There was less than one chance in 10 million that the observed results can be attributed to coincidence. Round trip travel time for Feb. 10 "bounce" was 295.5 seconds, and the Feb. 12 was 303 seconds, with an estimated accuracy of 0.0005 seconds. Preliminary calculations indicated that all interplanetary distances may be 0.0013% smaller than the presently accepted value.

K9AWT/3, Barney, who called in on the 6 meter net Mon. March 23rd, is looking for an X99 or something similar to it. The only QTH we have right now for him is Springfield, Pa. Should we get a better one for him before the paper goes to press we will pass it along; if not then anyone who can help him will have to look for him on the air.

K2BGO, Bob, is looking for a BC 453. If you can help him out contact;
Robert J. Robinson
6547 Rudderow Ave.,
Merchantville, 8, N.J.

KN3GYB, Ernie Kiefer is looking for a ham receiver. All band preferred. Anyone able to help him can contact him at 206 Passmore Street, Phila.

A just released, security-cleared timetable for military communication satellites, is presented here;

1. Courier satellite - a delayed repeater, low orbit active relay, tests this year and next; operational '61
2. High orbit, 24 hour, wide-band, simultaneous relay-launchings 1960-61; operational, 1963.

A R1/ARR-1 receiver for 220 to 248 mcs is wanted by W3GXB Bob Fox
7122 Rising Sun Avenue, Phila., 11,
Pa. Pi. 2-9355.

The Courier satellite will be designed to permit 20 continuously available 100 word-per-minute teletype channels to ground stations located around the world. No specifications were given on the other satellite.

Brownie 6J4 Grounded Grid 2 meter converter and power supply. \$25.00
Contact W3SAO, Frank Brick
829 W. Fishers Avenue,
Phila., 41, Pa.
Da. 4-7524

TV will play a significant role in the military satellite program. These satellites will be designed to provide ultra-reliable radio position fixes for aircraft and ships at sea anywhere on earth.

FROM THE MAILBAG

ANTHRACITE WIRELESS ASSO., TAMAQUA, PA

April 3, 1959
212 Race St.,
Tamaqua, Penn.

March 28, 1959

Hi Gang:

Sorry you haven't heard from us lately but the local club and cps seem to have fallen a bit and the news sheet was sorta discontinued from lack of news and operating. I don't like to always print about my activities and operating. Sooooooo seems as if I owe you an appology for not swapping papers, cause we had none to swap. Hi!

In reading your paper I see that once in awhile you have contributing editors. In all fairness I feel obligated to the "Pack Rats" and you. Therefore I have compiled a mess of words and lines etc. into a construction article which you have my permission to print for your club use.

From time to time you see articles in QST es CQ about putting the different commercial gear on 6 mtrs. I am now changing my Globe Champ 300 to 6 meters and should be finished in a few weeks. I also have a few more construction items that might be of interest to you.

You may also spread the word around at you meetings that I have been nominated as a candidate for Section Communications manager of Eastern, Pa. Not being a Philadelphia boy I might not be held very favorable by some of the Philly clubs but I am active on the bands where the SCM is to be active on. A letter will be sent later on this and my propoganda sheet on my Qualifications, Hi.

The spelling is lousey and the diction terrific but hope the article on the converter is OK. Hope to hear you on 6 soon.

vy 73

Allen "Al" Breiner
W3ZRQ

(Editor's note) Al's picture is on page 53 of the April QST.
Al, we're not drumming up votes for you, but should you be voted the SCM one thing is for sure, you will know what Mt. Airy is doing, as you receive "Cheese Bits" each month.

SHORTEST LETTER

From B.D. Earhart, Sup't,
Fort Washington State Park.

(In answer to my letter requesting permission to use records for dancing for the teenagers at the picnic.)

A map of the location, and on the other side just "OK" over his initials.

Fellow Amateurs:

As is the case of all politicians when asked to run for public office, he must try to sell himself to the voter. As of March 2nd, I have been accepted as candidate for Section Communications Manager of Eastern Pennsylvania section. Shortly follow-April 10, 1959 each full member of the American Radio Relay League shall receive an official ballot.

I can make no rash promises such as a K.U. in each shack nor to make any startling discovery or advancement in the field of our hobby, Amateur Radio. I will promise to try to fulfill the duties of SCM to the best of my ability. Since the SCM has a lot of responsibilities to the National Traffic system I believe he should acquaint himself with its activities and the operators in his section as much as possible. You who operate and monitor the bands will confirm that my station has been active in nets and traffic handling for the past four years, both phone and C.W. I like to build my own gear, rag chew, work DX. Prefer CW to fone. Work all bands 80 to 10 meters and now invading 6 meters.

Regards to past history; I shall be 39 years old April 26th. Married 18 years with three harmonics. Affiliated activities; three years as activities Manager of the Schuylkill ARC, Secretary Tamaqua ARC two years, Past President TARC, Secretary Anthracite Wireless Assn., and member of The Hilltop Transmitting Society.

Present appointments include; Official Relay Station four years, Official Phone station three years, Official Bulletin station one year and Emergency Coordinator one year. Other achievements include Brass-Pounders League and Medalion, Rag-Chewers club, 30 WPM Code proficiency, Worked All States, Worked All Continents, and Worked the British Empire Awards. Also the proud holder of two public service awards for flood and hurricane disaster work.

Since it will be impossible to QSO each one personally may I thank you now for any consideration. Above all exercise your rights in the ARRL organization and cast the ballot for the candidate of your choice. Wishing you and your club the best of success in many years to come, I remain,

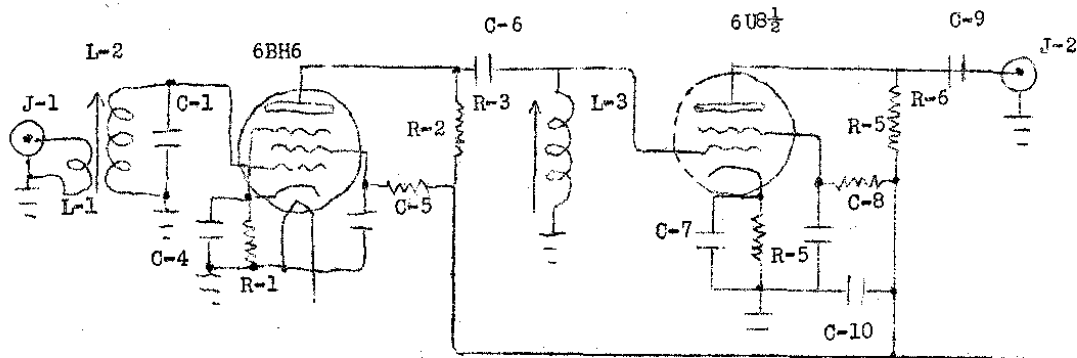
Respectfull 73,

Allen "Al" Breiner,
W3ZRQ.

SMALL CONVERTER - BIG RESULTS - By W3ZBQ

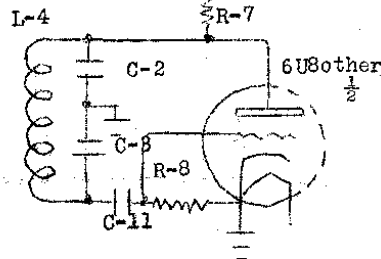
The converter described here-in is guaranteed not to be a cure- all nor the ultimate or last word in frequency converters but is our way of getting our antique National receiver on better and equal terms with the newer more modern high-freq ham bands. This idea and schematic is not new, but has been changed some what to suit our own individual receiver.

The following schematic is self explanatory. It may be noted that it incorporates no crystal for the oscillator thus another saving on green stuff. This is where I see a number of you turn your heads and saying "Ugh, too much frequency drift. That's not for me." Well that's where you're all wet. We found more drift in our receiver warm-up (8kc) than we did in the converter oscillator. A precautionary measure was taken to prevent this. C-2 and C-3 will have to be of the silver mica variety capacitor.



L-1. 2 turns #30 DCC.

Coil forms are 3/8" dia. and later models built use discarded TV sets to supply them. B plus and filament supplies can be swiped from the accessory plug on the receiver. At this station an extra half-wave selenium power supply extracted from a TV was used. Here again it can be said there was no regulation used, such as VR tubes to stabilize the frequency.



After the converter is peaked for the specified frequency all tuning is done on the receiver. The I.F. frequency preferred here was .5 MC. For the station who has very little band-spread on the higher frequencies on their receiver, this little job will spread the stations out and also soup them up to the point where you will be able to hear the DX stations under the QRM.

Construction:

Little can be added to the construction end because each one of us have different ideas. All the coils could be fashioned around a selector switch and have a band-switching job. We made ours as plug-in units and just switched the B-plus and antenna terminals. J-1 and J-2 can be of the standard Coax chassis connector but for 10¢ we were able to obtain the same results with RCA phono adapter plugs and connectors, a saving of almost 2 bucks. Tubular ceramic condensers were used at C-6, 9 and C-11

FREQ.	L-2	L-3	L-4	C-1	C-2,3
Mts					
50-54	8t 20c	8t 20e	7t 20e	none	50 mmf
27-30	20t 28e	17t 24e	9t 24e	none	100
21-22	20t 24e	18t 24e	14t 26e	5 mmf	100

C-4,5,7,8,10 - .001 mfd Ceramic
 C-6,9,11 - 50 mmf Tubular Ceramic
 R-1, 200
 R-2,5 47K
 R-3,6 10K
 R-8 18K
 R-4 1000
 R-7 20,000

Connection between J-2 and receiver should be coax and short as possible.

(144 Mc coils have not been made as of this writing.)

My next project is to remove the 11 mts band from my Globe-Champ 300 and replacing it with 6 mtrs. This should help me get over the hills and QSO some of you Ops. If you are interested in some more construction articles such as this, I shall be glad to help out from time to time. I would be very interested in some of your results with this converter. Since this is my first invasion of your "Pack Rats" edition, I hope my technical talk is accepted by you. I'll be happy to answer any other queries via mail or ham bands. Tnx fer letting me bend your ear awhile.

73, Al.

(Editor's note) Send in anything Al, more than happy to include it in the paper.

OFFICIAL BULLETIN NR 697 FROM ARRL HDQ.
WEST HARTFORD, CONN. APRIL 3, 1959,

TO ALL RADIO AMATEURS BT.

The Federal Communication Commission announces that informal temporary agreements for third party amateur communications originating from or destined to official participants in the Los Angeles CCIR Assembly via K6USA repeat K6USA have been made with Guatemala, Finland, Venezuela, Sweden and the United Arab Republic (Egypt and Syria). These temporary arrangements are in addition to regular agreements permitting general third party traffic with Canada, Chile, Cuba, Costa Rica, Ecuador, Liberia, Nicaragua, Panama and Peru.

AR

Your eyes do not have to be examined, there are two different kinds of type in this edition. The reason for this is that I type up the news as I get it, leaving space for any addition, so that I will not have to do it all at once. While typing a Master Copy for school "Old Betsy" broke down and I had to get a new typewriter.

Welcome to W3HKZ on the 2 meter net on March 30th

Understand that W2KFC, Lee has 200 watts on 2 meters now, but he is having trouble getting above 145 mc.

Don't you know that you're to get your feet out of the way when milking, W3BRU, Frank? Sorry to hear about your sprained ankle.

The reason Herm, K3GQZ, wasn't on the 6 meter net April 6th is that his XYL, Betty, had a Gall Bladder attack and he took her to the hospital for an examination. The Doctors are giving her medicine to cure it, hoping that they won't have to operate. We wish her a speedy recovery.

Got a surprise on the 6 meter net on the 6th. W3ZTL, Myles called in. It sure was good to hear him again. He has available to club members 2 or 6 meter receivers that they can use indefinitely. If you are interested in borrowing one contact him at;
6043 N. 21st Street,
Phila., 38, Pa.
Vi. 3-0116

W2EIF, Joe, our heckling buddy, was in Reading over the weekend of April 4 & 5. While there he attended a "Pennsylvania Dutch Cook-out" He felt out of place

because he was in a business suit and the "natives" were in costume. He had a good time anyway and enjoyed the food.

HAM FEST COMING UP SOON

K2SHT, Sam has notified us of the coming event of the Buck's County Amateur Radio Club.

4th V.H.F. ROUNDUP

BUCK'S COUNTY AMATEUR RADIO

CLUB

PLACE: BOWMAN'S HILL, WASHINGTON'S CROSSING, PA.

DATE: JUNE 7th, 1959

TIME: FROM ? TO ?

NO GAMES ***** NO PRIZES

NO TRANSMITTER HUNTS

NO CHARGE **** JUST BRING YOUR LUNCH, FAMILY & FRIENDS AND HAVE A DAY OUT.

OFFICIAL BULLETIN NR 698 FROM ARRL HDQ
WEST HARTFORD CONN. APRIL 10, 1959

TO ALL RADIO AMATEURS BT.

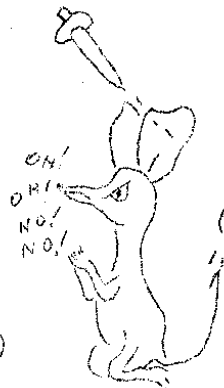
FCC has amended the amateur rules, effective May twenty, as proposed in Docket 12607 to extend remote control privileges to the 220 Mc band, to permit narrow band FM telegraphy in the 50 Mc band, and to permit 6F2 emission in the 50.35 to 50.75 Mc RACES segment. In another matter, Docket 12728, the League has filed its comment in support of the proposal to authorize Technician Class operation on the 144 Mc band;

AR

K3GQY Jack, was here during the nets of Monday April 13th. He told us that they were expecting shortly. We hooked up with him after the 6 meter net and he stated that he would like to send invitations to the Baptizing to all the members. We pointed out to him that it would be a lot cheaper if he just sent us a notice and we would announce it over the air. He is worried about where to get enough glasses; so save all your empty jelly glasses and bring them with you. Be sure to be in on the nets to find out just when the big event will be. We also got his XYL to talk on the air for the first time.

RAT SQUEAL

By
W3SAO



W3VGN, Harvey, is acting net control of the Hersham Township C.D. Net. Other club members who are participating in the net are; W3DRC, Tom and W3POZ, Charlie.

Was that one of Ed's, W3HKZ, ties I saw on the Newscast Sunday March 22nd ?

W3DRC is still using his Halo on 2. Hope you get your 2 and 6 meter beams up soon, Tom.

K3BVZ, Ben, broke down on Monday, March 23rd and K3BHK, Jerry, was over trying to get him back on the air. He missed the nets, but did get back on later that evening.

Our good friend, Harry Densham, W2EH, is now K3EH and lives at 39 Gridiron Road, Levittown, Pa. We wish them good luck in their new home, and hope that Sophie gets back on her feet soon.

Heard Ed, W3CFS, asking what happened to the "CHEESE BITS" on the 6 meter net of March 23rd. Says he got one copy and then no more. Listened for him after the net to explain, but didn't hear him. One of two things happened; he either forgot to send the \$1.00, or he sent it and we never received it. We are sending him a copy of this edition as a means of explanation.

Just heard the other night that the granddaughter of Charlie, W3EBH, is starting school this September. She will be six soon afterwards. Charlie is only 43, and his XYL, Evelyn is younger than he. They may not be the youngest grand-parents, but they are the youngest that I know. How many grand-children do you have now, Charlie, 3 or 4 ?

If you have been wondering why W3KLL, Walt, hasn't been heard lately, it is because he was in Floriday for two months. Working, no vacation. Just got back this week and is leaving soon for another trip. He is a storage battery service man. He hopes that he will be home for the next meeting.

After the nets, March 23rd, we got into a three way with W2EIF, Joe, and W3NWP, Leo. Leo asked if we knew where he could get a 6 meter Gonset to try out up around Mahoney City. We told him about how hard it was to make contact from there to here. We mentioned different places up there such as Delano, Tamaqua and Quakake. After a few rounds, we told Joe that since he was from Jersey and not a Coal Cracker we couldn't talk to him. He said he may not be a Coal Cracker but he comes from the oil fields of Western Pa. All of a sudden we heard a breaker, so we asked him to identify himself. We stood by, no identification, so we continued. Again we heard the breaker, strong enough to block W2EIF here and at W3NWP's, but Joe heard it less strong. All of a sudden we heard, "W3SAO, K2PTJ calling." He said that he was the breaker, and everytime we asked for identification he did so but found that he was talking into a dead mike. During the course of conversation we found that Fred comes from up around Allentown, Pa. That was too much for Joe, and he said, "Helen, now I know how you get your information for CHEESE BITS.", and right away he dubbed the four way "The Pennsylvania Dutch Network." (P.S. Joe may not be Pennsylvania Dutch, but we told him since he comes from Pennsylvania he could stay on the net.)

W3ZTL, Myles, has returned from Pitt. He called when he returned and said that anyone who wants Pitt. can have it, but it's not for him. He works for the Univac Division of Remington Rand. He also has a new phone number. It is; Vi. 3-0116.

W3KFK, Jack Greenberg, stopped around the other night. He is now running a service station known as Jack's Gulf Service, 2000 W. Main Street, Norristown, Pa. If any of the fellows happen to be in that neighborhood in and say Hi. He is looking for equipment to set up a station in the place so that he can talk during slack periods. He misses his old radio buddies and would be very happy to see some. Jack is also the Justice of the Peace of Perkiomenville.

K3AUH, Al, stopped for Frankie to take him to WCAU, and wanted to test his new mobile rig. His car was parked across the street. He picked up Frankie OK, but Frankie couldn't hear him. Poor Al came back and didn't know what had happened, as it was working the night before. I told him maybe it was a loose connection. It was a loose connection alright, but not in the rig. When he put the rig in permanently he accidentally knocked the switch to off position.



Power of suggesstion; W3IBH, Charlie, worked a fellow in Trenton from a fixed station and told him that he was mobile. Right away the fellow reported that he heard ignition noise. After awhile he caught on that he was being kidded.

Were you there, at the Southwark A.C. ? If you were you know what a grand time we had. If you weren't you don't know what you missed. Roast beef, each slice at least half an inch thick, and more if you wanted it, plus all the extras to make a full course dinner.

Past Events

TOUR OF TV STATION

On Thursday, March 26th a group of the fellows and their XYL's, with a few Harmonics, went on a tour of WCAU TV & Radio Station. The tour was arranged by W3HKZ, Ed.

You think you have trouble watching a few meters, you should see the meters their engineers have to keep tabs on. They not only have to watch the "S" meter, grid drive and plate meters, but must watch audio and video. Not ony that, but they must watch monitors for station breaks, advertisements, and any breakdown in transmission at the source of transmission.

While there they were priviledged to see the 11th Hour New, Weather and Sports Telecast, and meet John Facenda and Jack Whitaker and some of the other personalities seen and behind the scenes at the station.

Preceding the tour, representative Radio Clubs of Delaware Valley had a meeting on the arrangements for the TV HAM RADIO SHOW for April 18th.

Sorry that I missed the tour, but the Harmonic was sick all week, and the weather was too nasty to take him out. I have been on a tour of WCAU TV before, when they were on Chestnut Street, but I would have liked the Harmonic to see what goes on at a TV Station.

In the center of each table was the symbol of the "PACK RATS", and each lady received a gift plate to remember the affair by. On the plate was written in gold, "Mt. Airy V.H.F. Radio Club Ladies Night, April 11, 1959.", around the edge, and across the center, "Pack Rats."

The only speeches made were when they presented me with a gift for the work I do for them and I said "Thank you."

We were so glad to see so many of our friends there. Some of them were there last year, and some came for the first time. It was a pleasure to greet them. We are looking forward to seeing them again.

(This is as far as I got with "Cheese Bits" before old Betsy broke down. This new typewriter does a lot more than the other one, but it spells just the same. Hi-hi.)

The floor show was A #1, and the Master of Cerimonies was Tony Miles. He presented me with my gift and I had to kiss him on each cheek for it. I received a beautiful handbag and the card was so sentimental, it was signed, "Mother Rat, from all her little Rats." (From now on, boys, call me "Mom".)

Numbered among our visitors were; W3UZM, Grant, W3OR, Alan, K3EDE, Jerry and friend, W2EIF, Joe, W2KFC, Lee, W3BVR, Ted and Clarence Proud, brother-in-law of W3OZP, Bill. Clarence has passed his exam and is waiting for his ticket.

A SPACE FILLER FROM W3CPT

A man walked into a bar with a pet mynah bird and ordered a drink. The bird ordered one too, "Sorry," said the bartender, "we're not allowed to serve mynahs."

Sorry that K2QOS, Mike was not able to be with us. It seems that a steam pipe broke at work and he had to work.

We were so happy to see Karl, W3ASD, He almost didn't make it. He was in the hospital for a pulled tube in the kidney.

APRIL MEETING

At our meeting of April 15th our guest speaker was Einer Jondson, of the Naval Air Development Center, Johnsville, Pa. His topic was "Parametric Amplifiers" and he demonstrated his talk with equipment used at the Center. He explained this perplexing phase of amplification in plain English so that everyone could understand it. Following his talk there was a question and answer period.

HAM RADIO TV SHOW

We all got up early on Saturday the 18th to see the first half of the one hour show on WCAU TV. (The show was split in two; 7:30 to 8:00 A.M. and 2:00 to 2:30 P.M.) We watched "Shop Talk" and waited for the film to come on at 7:45. (No film.) Got washed and dressed at 10:00 A.M. and left to get John, W3AYG about 10:35. We left his QTH about 11:15 and arrived at the studio (?) at 11:45. Found out the reason the film was not on was that they figured it was too much repetition, and they will show it at 7:45 Saturday the 25th. There we met W3DBL and W3DBN, Jim and Florence Collins, Co-editors of "CQ Chester County". Of course Florence and I exchanged editorial secrets.

We had the privilege of sitting in the directors booth and watching the show on the monitors. We not only saw what was being telecast but the next shot that was coming up. It was very interesting.

The show covered all phases of "Hamming" from hobby to public service, and the experiments of the Technician, also "Ham" TV.

What the public did not know and only the "Hams" knew was that W3DBN, Floss, was the XYU in the kitchen talking to her OM, W3AYG, John, mobile using Ed's call, W3HKZ. Wonder how they explained it to their neighbors.

W3CPT, Ken, was the visitor in the DX Shack, and the "Ham TV" belonged to Ed, W3HKZ.

Speaking of "Ham TV" I would like to reprint an article that appeared in the Sunday Bulletin of April 19th. I don't know whether it was just perfect timing or just a coincidence.

BUY YOUR OWN TV STATION

By John Crosby

IT WAS BOUND to come, ham TV, and I'm afraid it's here.

The thought of your next door neighbor having his television transmitting -8-

station with which to fill the air with the amateur puppet shows of his children and the unfulfilled stage aspirations of his wife is enough to chill the marrow. Well, that day has arrived, chillun. Take to the hills.

Now -- TODAY -- you can go out and buy your own TV station for the very nominal sum of \$2,895.

It comes complete with transmitter, monitor and camera. All you need -- beside the desire to transmit, which like the homicidal urge, lies buried deep in every one of us -- is a ham license and, if you happen to be a radio ham, you don't even need that. The test for license includes learning a few rules and regulations about the FCC. After that, heavens forbid, you're on your own, contaminating the atmosphere with amateurism.

THE OTHER DAY I dispatched Operative X12 to a demonstration of this minute, but working TV station. She had a long talk with the inventor, Mort Zimmerman, president of Electron Corp., subsidiary of Ling-Electronics, and the eastern seaboard distributor, Saul Kornberg of Space Communications Corp. Their plans are big, very big. "If Big Brother is watching you," quoth Mr. Kornberg happily, "now you can watch him back. Anyone within a radius of 25 miles can pick you up by merely attaching a UHF converter to his set. And if he has his own station you can spend days happily talking or making faces at each other" (The mind reels.)

* * *

OF COURSE, the inexpensive TV station offers other possibilities for serious use in education and law enforcement and civics. Inexpensive TV, Mr. Kornberg points out, has unlimited functions and could eventually prove as valuable and useful to the ordinary citizens as the telephone.

"The aspect we are most interested in," Kornberg says, "is how this can be used for educational purposes. Now, as prices go, an educational TV station costs at least \$150,000. (Editor's note; Most of them cost \$250,000). Using our unit and adding a bit more, a university could get an educational station for \$10,000." "Now, when you think that by 1980 none of our colleges will be able to hold children, you can see how an educational TV station will have to be part of every university and college."

"I would rather have my children go to college eight hours a day on television than have to triple up and go only three hours a day. And, mark my words, that will be the case." "Television will not replace the teacher; nothing will do that. But, if television can take most of the lecture work load off each teacher, the teacher will have more time to spend with individual students, to

to conduct seminars and small class discussions. We have already had requests for equipment from several universities."

* * *

THE LING-MITTER, as the amateur transmitter is called, can transmit for 25 miles. The New York City Police Department has already picked up its ears. As the situation stands, one cop from each precinct has to come to Centre Street to look over the lineup every morning. It would save 500 man hours if they could simply switch on a TV station in their own precincts. "Another rewarding aspect," said Kornberg, "is that it will allow small towns to have their own TV station. Up to now, because of the cost, that's been impossible. We've already had inquiries from small towns in Texas, New Mexico and Arizona."

Coming Events

SPECIAL MEETING

A special meeting will be held on Friday evening May 1st at the NAVAL AVATION SUPPLY DEPOT, 700 Robbins Ave. at 8:00 P.M.

The meeting will be held in the conference room, and there is free parking if you use the Oxford Avenue entrance.

We would like to thank our "VEEP", John, W3JSD, for acquiring the meeting place for us. We would also like to thank the ARRL for choosing our club for this opportunity to present their IGY findings to the Hams of the Delaware Valley Area.

The speaker, from the ARRL, is Mason P. Southworth, W1VLH, Project Supervisor of ARRL-IGY Project.

Due to the lateness of this issue, because of the TV show, flyers on this meeting have been sent to members and other clubs.

REGULAR MAY MEETING

The regular scheduled meeting for May will be held on Wednesday evening, May 20th at 8:00 P.M. at the West Oak Lane Jewish Community Center, Sedge-wick and Thouron Sts.

The order of business will be the nomination of officers for the coming year. If you have a candidate, it is your DUTY to be there and make his nomination, other wise you will have to accept the nominee of the members present.

Also at this meeting we will present, "THE BIG SURPRISE" Like to know what the Big Surprise is? Attend the meeting and find out.

While at the meeting, check with Ken, the treasurer, about your dues. If they are not up to date, then you are not eligible to vote in June.

Just received this Bulletin in the mail.
OFFICIAL BULLETIN NR 699 FROM ARRL HDQ.
WEST HARTFORD CONN. APRIL 17, 1959.

TO ALL RADIO AMATEURS BT.

Many parts of the country will change to daylight time effective April 26, when all W1AW operation shifts to Eastern Daylight Time. Listeners in areas remaining on standard time are reminded that official and special bulletins, code practice, propagation forecasts and other announced ARRL headquarters station activities should be tuned in one hour earlier. The complete W1AW summer schedule will appear on pages 102 and 103 May QST.

AR.

Heard some bad news on the 8:30 A.M. Newscast of WFIL this morning.

Roger Barrington, W2YL, is in the Cooper Hospital, Camden, N.J.

According to the news bulletin, he was helping a neighbor trim his tree and fell out of the tree.

Getting back to the TV show, just in case some of the participants were wondering why I was so dressed up for a show that I would not be appearing on, here is the reason. Frankie and I had a wedding to attend at 4:00 P.M. By the time we got the antennae off the roof and got the equipment out of the studio it was 3:15. We arrived at the QTH of John, W3AYB, at 3:45 and got to the church at 3:58. We had to slip in the side door as the wedding party was ready to come down the aisle. Whew!, we weren't rushed or anything. After a delicious roast beef dinner at the reception we arrived home in time for the harmonic to attend a birthday party at 6:30 P.M. You can bet your sweet life, we hit the sack at 11:15 P.M. following the News, Weather and Sports telecast.

A HA, HA ! from W3CPT
A man drove his sleek, powerful, 1959 car into the filling station. "Fill 'er up." he told the attendant.

After a while the attendant called to him, "Better shut your engine offyou're gaining on me."

THE MIGHTY FEN

CALLING ALL HAMS WITH CALL LETTERS
ON THEIR LICENSE TAGS!!

Get out those pens and start writing to your State Senator. Ed, W3CFS informs us that there is a bill in the Senate in regards to the Hams not paying the extra \$3.00 until a new plate is issued.

When Frank received his he wrote to the Secretary of Motor Vehicles, Mr. Dougherty, and stated then that the state was breaking it's contract with the Hams by not including the call letters on the sticker. The answer he received was that the stickers are issued numerically and will not contain the call letters. Frank also told him that he would receive many letters from the Hams, and this bill in the Senate proves that he was right.

You are paying \$3.00 extra each year not to have your registration changed, and with the new stickers, your registration is being changed each year until a new tag is issued. Therefore you are paying \$3.00 extra for nothing.

So boys, get out your pen and write to your State Senator and tell him to vote YES for Bill #637. The Senator from Philadelphia is Benjamin R. Donolow.

PROTECT YOUR RIGHTS, AND WRITE!!

Ed also stated that there is another bill on the floor regarding permitting mobile Hams to receive police calls. He is not sure of the number of the bill, but suggests you ask him to vote yes on this one also.

This is something I don't like to do, but it must be done.

I am not a member of the club, so therefore my opinions are not always those of the club, but I know that this time they are the same.

On the 2 meter net of April 13 one of the members broke up the net so bad that Frank had to turn it over to W3FSC so as to get a special announcement in about a special meeting on May 1st. Even after Frank called him on the landline, and told him to get the rig off the air he continued to use it.

I will not mention any call or name, but the party responsible knows who it is. Perhaps he doesn't realize it, or perhaps he doesn't care, but he can lose his license for this type of operation.

For his benefit I would like to point out what to do, and what not to do when testing a rig.

1. Do not throw the rig on without first checking the band, or frequency.

2. Before making a check contact someone on the landline to check with you.

3. When requested to take it off the air, do so.

4. Use a dummy load when checking.

5. Use the high end of the band so as not to interfere with any net or QSO.

6. Espically, do not make a test at the same time and frequency as your own club net.

Club nets are merely a courtesy, not a claim on a frequency, and all good Hams respect this courtesy.

Also on the April 13th net there was another fellow with a phone patch breaking up the net. I am only glad that we had a visitor in the shack at the time, and he knows that we were not just complaining. This interference was also heard by W2KFC, Lee, the Official Monitor, and he knows that we were not just kidding about the interference. By the way, the fellow with the phone patch would not get off until we threatend to send out mobiles to track him down. This is surely not one way to further the public service of the Ham with the use of a phone patch.

Come on boys, let's be good Hams, and not force the FCC to lift your license; remember to be a Ham you studied hard, code and theory, and it is the only hobby that is licensed and protected by the FCC. Don't abuse this privilege. Do you realize that this privilege permits you to participate in any major catastrophe?

Just like the Juvinal Delinquents spoil the good ones, so you, as Delinquent Hams, are spoiling it for the good Hams.

Just received word from W3AYG, John, that the son of W3FXG, Mal Marple, passed away.

Mal's boy was 17 years of age, but for years he was a hopeless cripple, a victim of Muscular dystrophy, so we feel sure that you can say along with us; "Thank God."

Our condolences to Mal and his family.

Faint header text at the top of the page.

First main paragraph of text on the left side.

Second main paragraph of text on the left side.

Third main paragraph of text on the left side.

Fourth main paragraph of text on the left side.

Fifth main paragraph of text on the left side.

Sixth main paragraph of text on the left side.

Seventh main paragraph of text on the left side.

Eighth main paragraph of text on the left side.

Ninth main paragraph of text on the left side.

Tenth main paragraph of text on the left side.

Eleventh main paragraph of text on the left side.

Twelfth main paragraph of text on the left side.

Faint header text at the top of the right side.

First main paragraph of text on the right side.

Second main paragraph of text on the right side.

Third main paragraph of text on the right side.

Fourth main paragraph of text on the right side.

Fifth main paragraph of text on the right side.

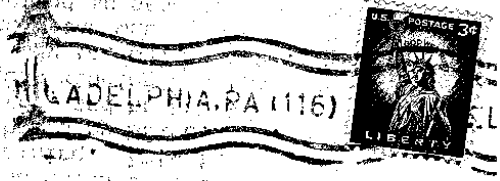
Sixth main paragraph of text on the right side.

Seventh main paragraph of text on the right side.

Eighth main paragraph of text on the right side.

Ninth main paragraph of text on the right side.

FRANCIS D. BRICK W3SAD
B29 W. FISHERS AVE.
PHILA. 41, PA.



3301 Harry B. Stein
2087 Parkside Ave.
Glenside, Pa