

PACK RATS'



PACK RATS

CLUB CALL: W3CCX

MT. AIRY VHF RADIO CLUB, INC.

CHEESE BITS



MT. AIRY VHF RADIO CLUB, INC., PHILADELPHIA, PENNSYLVANIA
50.125, 144.150, 220.125, 432.110, 1296.110 Mhz, W3CCX - Repeater 222.98/224.58 Mhz
Affiliated Club: AMERICAN RADIO RELAY LEAGUE
Meetings: Third Thursday of each month at 8:00 P.M.
Southampton Free Library, 947 E. Street Road
Southampton, Pennsylvania 19866

ARNS

VOLUME XXVI

MAY, 1985

NUMBER 5

THE PREZ SEZ

The May meeting will be our ARRL Night. Perry F. Williams, W1UED, the Washington area coordinator and Hugh Turnbull, W3ABC, Atlantic Division Director will be there. I hope to see all Club members and friends at our annual ARRL Night.

Doc, K3GAS has everything under control for the annual "Ladies Night" Banquet. The night will be a success if we all attend. Doc is working on a special surprise for this year's Banquet. So, when you receive your letter from Doc, let him know you will be coming. Friends are welcome!

The Spring Sprints have started. Monday Night, April 15, was 2 meter night and Tuesday April 23 was 220 Mhz Sprint. It was good to hear a number of Pack-Rats on the air. Keep up the effort for the other bands coming up. Check the "Calendar of Coming Events" to see the schedule for bands and nights.

The May meeting is also nominations night for new club officers. I will not be running for club President again this year. Between other club activities and home projects my time is limited.

With full time members now numbering 90, there are many good people to fill all vacant positions. If you would like to run for office, see the nomination officers; Harry, W3CL, Frank, AK30, and Ernie, W3KKN. Remember, the Club is as strong as the members who take part.

73, Dave, WB2VLA

Pack Rats CHEESE BITS is a publication of THE MT. AIRY VHF RADIO CLUB, INC. Philadelphia, Pa. and is published monthly.

SUBSCRIPTION RATE - \$2.50 PER YEAR

We operate on an exchange basis with other publications. Anything that is printed in CHEESE BITS may be reprinted, unless otherwise stated, provided that proper credit is given.

SWAP SHOP ITEMS - NO CHARGE

DEADLINE FOR ARTICLES IS THE GENERAL MEMBERSHIP MEETING: THE THIRD THURSDAY OF THE MONTH.

EDITOR:

W3CL, HARRY B. STEIN
2087 Parkdale Avenue
Glenside, Pa. 19038
215-887-5052

PUBLISHER/SUBSCRIPTION MANAGER:

K3GAS, DOC CUTLER
7815 New Second Street
Elkins Park, Pa. 19117
215-635-1078

PRINTER:

WB2VLA, DAVID POWER
609-882-1040

TYPIST:

WA3TEM, MARSHA LISSAUER

TRUSTEE OF THE CLUB CALL - W3CCX:

WA3AXV, RONALD WHITSEL
215-355-5730

AWARDS CHAIRMAN:

W2EIF, JOSEPH KILGORE
609-783-9478

CLUB HISTORIAN:

W3CL, HARRY B. STEIN

MONDAY NIGHT NETS

7:30 PM - 50.125 MHZ

8:00 PM - 144.150 MHZ

8:30 PM - 222.98/224.58 MHZ

8:45 PM - 220.125 MHZ

9:00 PM - 432.110 MHZ

9:30 PM - 1296.1 MHZ

NET CONTROL

W3CL

W2EIF

K3GAS

KS2T

K3IUV-NF2L

W3HQT

PACK RAT REPEATER 222.98/224.58 MHZ/W3CCX
LOCATED IN CHURCHVILLE, PA.

OFFICERS: 1984-1985

PRESIDENT: WB2VLA, DAVE POWER

VICE-PRES: WB2RVX, MIKE GULLO

COR. SECY: AK30, FRANK KERNS

REC. SECY: W3IIT, HARRY BROWN

TREASURER: K3GAS, DOC CUTLER

DIRECTORS: NF2L, BILL SMITH (EX-OF)

WA3AAJ, JIM WARD (2 Yrs)

WB3IND, GEORGE McMAHON (2 Yrs)

WA2OMY, GARY HITCHNER (1 Yr)

WA3YUE, BRUCE LOSS (1 Yr)



THE AMERICAN RADIO RELAY LEAGUE

OST

HUGH A. TURNBULL, W3ABC

Director, Atlantic Division

6903 RHODE ISLAND AVE.
COLLEGE PARK, MD. 20740

(301) 927-1797

1-302-478-2757

AMATEUR
and
ADVANCED
COMMUNICATIONS

"Gisele"
K3WAJ

G. B. WALLS

3208 CONCORD PIKE (RT. 202)
WILMINGTON, DEL. 19803



Pennsylvania Institute
of Technology

PAUL D. MERCADO

Chairperson, Drafting Design Department

(215) 565-7900

Rose Valley-Notre Dame Campus
800 Manchester Ave., Media, Pa. 19063-4098

FREE ESTIMATES
(215) 672-3850
(215) 822-0808



MICHAEL McMACKIN

REGISTERED PLUMBING & HEATING
BATHROOM INSTALLATIONS • ELECTRIC DRAIN CLEANING

96 HELLBERG AVE.
CHALFONT, PA. 18914

2405 PARKSIDE AVE.
HATBORO, PA. 19040

CALENDAR OF COMING EVENTS
Syllabus by Lee, K3MXX

I want to say a big personal thanks to all of you for your most kind wishes, calls, notes, letters and prayers offered to me and my family during my recent mishap. Whatever or however you want to call it - the feelings from this side were greatly appreciated and again a big thank you to all. Lee...

MAY

- 1 May Day - Legal Day
- 1 ARRL Spring Sprint 432 Mhz - See March QST, Pg. 84
- 4-5 County Hunters SSB Contest
- 4 Southern Tier ARC Hamfest - Owego, NY. Info: Craig P. England, KF2X, R.D. #1 Box 144, Vestal, N.Y. 13850
- 6 Monday Evening, 6:30 P.M. Sharp. Volunteer Exams (VEC) sponsored by the Philmont Mobile Radio Club, Franklin Institute, 20th & Parkway, Phila., Pa. All tests from Novice to Extra \$4.00 per applicant, bring ID and copy of current license. No charge for NOVICE TESTS. No advance registration needed. All forms available.
- 8 Ostrich Mating Season Begins.
- 9 ARRL Spring Sprint, 1296 Mhz, See March QST, Page 84
- 9 Board of Directors Meeting, QTH: WA3JUF, Dave Mascaro, Ottsville, Pa. Directions on Pack-Rat Repeater or 215-795-2648. Directors and interested club members always welcome.
- 12 Sunday - MOTHER'S DAY. Tell Mom how much younger she looks and then give her something that Can't be used in the kitchen.
- 16 General Club Meeting - Southampton Free Library, Street Road, 8:00 P.M. ARRL NITE. Come out and meet with and talk to: Mr. Hugh Turnbull, W3ABC, Atlantic Division Director and Mr. Perry Williams, W1UED, ARRL Headquarters. An open meeting to all members, other clubs and their members. Interested persons. Bring your friends. Let's make this one a big meeting. The Mario Raffle, Frankie's Silent Auction, Refreshments. There will be a "Meet the Speakers" dinner at the Buck Hotel in Feasterville at 6:00 P.M.
- 17 First Kentucky Derby, 1875
- 17-18 The eleventh Eastern VHF/UHF/SHF Conference. The Rivier College Complex, South Nashua, N.H. Registration \$13.50 prior to May 5th. To KALDT (\$20 at the door) 15 Oakdale Avenue, Nashua, N.H. 03262
- 18 ARRL Spring Sprint 50 MHZ - See March QST, Page 84
- 18 Armed Forces Day
- 18 Philadelphia Area Micro Show - George Washington Convention Center, Willow Grove, Pa.
- 17-18-19 Rochester, N.Y. Hamfest, Monroe County Fairgrounds. A very good Hamfest - not as big as Dayton, but a good one...

CALENDAR OF COMING EVENTS
CONTINUED

MAY

- 19 Warminster Amateur Radio Club Hamfest - Middletown Grange Fairgrounds, Wrightstown, Pa. (A little above Richboro near Newtown). A very good local Hamfest, same place as last year and well worth visiting and saying hello to a very good neighbor radio club. Talk-in 147.69/09 and 146.52 simplex. More info: Bill Cusick, W3GJC (215) 441-8048 evenings. Gates open at 7:00 A.M. (Vendors 6:00 A.M.)
- 20 Lindberg's Non Stop Flight, N.Y. to Paris 1927
- 20 Victoria Day - Canada
- 24 First Major League Nite Baseball Game - Cincinnati 1935, Okay you trivia buffs -- who played
- 26 MEMORIAL DAY Hamfest - Maryland FM Association - Howard County Fairgrounds, MD. Info: Craig Rockenbauch - 301-987-6042 evenings.
- 27 MEMORIAL DAY - Watch a parade - take a long walk and just enjoy the day....
- 29 Wednesday Evening - 7:00 P.M. VE License Exam by the Warminster ARC. Willowdale Elementary School, Warminster, Pa. (West on Street Road (Rte. 132) Right on Norristown Rd.

* * *

ARRL VUCC AWARDS FOR BANDS 2.3 TO 10 GHZ

Effective immediately, ARRL will accept applications for the VUCC award for the microwave frequencies. Individual band awards are now available with the minimum number of grid squares to qualify as follows: 2.3 GHz, 10 squares. 3.4 GHz, 5 squares. 5.7 GHz, 5 squares. 10 GHz, 5 squares. Contacts are good retroactively to January 1, 1983. Endorsements are in increments of 5. Contacts must be made from a single location, defined as within a 300 meter diameter circle. The first three qualifiers on each band will receive their certificates mounted on walnut plaques. Application information and the name of the closest awards manager is available from HQ for an SASE.

* * *

HOLMESBURG ARC INFO FROM TONY, K3UKW

The HARC Swapnet on the 146.685 repeater on Wednesday evenings at 9 P.M. This follows the Club net at 8 P.M. Joe, WA3IJZ net control. The club meeting on May 5, 1985 at 10 A.M. will be on AMSAT. Visitors welcome. Location - 8th Police District Headquarters, Red Lion and Academy Rds., Phila., Pa.

* * *

A REMINDER FROM JIM HOLT, N3AHI

"Out Contest Group will once again operate from 4800 Ft. Mount Toxaway in North Carolina (Grid Square EM-85) during the June VHF QSO Party on June 8-9, 1985. Will be on 6 thru 2304 Mhz signing the call N4HSM"

* * *

SWAP SHOP

FOR SALE: FROM ESTATE - Receiver - Yaesu FR-101 digital - excel. I.F. for converters - 500 Hz CW filter - in like new cond. \$225. Tower - Aluminum 40 ft. crank-up, tilt-over w/house bracket & tilt over base. Exc. cond. weight approx. 80 lbs; mfd. by Aluma Tower Co., Vero Beach, Fl. asking \$475 plus shipping cost \$60 (approx) from North Port, FL.

CONTACT: Jack Power, W2AXU
Phone: 609-882-8811

WANTED: January 1921 QST.

FOR SALE: Yaesu FT101 EX HF transceiver plus Yaesu YC-601 digital display \$450 or best offer.

CONTACT: Rich Pattison, K3ACR
Phone: 609-886-1100 (8-5)
215-885-6557 (after 6)

FOR SALE: 6 mtr. Swan Mark VI amp. \$550

WANTED: 220 Mhz MMT Transverter.

CONTACT: Ron Allen, KB3QM
P.O.B. 73, Bethel, DE 19931
Phone: 302-875-7373

WANTED: 32S-3 Collins xmtr - prefer without power supply, any condition.

CONTACT: WA2OMY, Gary
Phone: 215-539-6409
215-354-1275

FOR SALE: 1296 & 2304 antennas. 1296-45 el. 12 ft. Boom %80; 2304-45 el. 7 ft. boom \$70; all antennas completely assembled & tested. All stainless hardware complete w/boom to mast mounting bracket. Pwr. dividers & phasing lines are available for stacked arrays.

CONTACT: Bill, W3HQT at Down East Microwave, Box 1655A, RFD 1, Burnham, ME 04922
Phone: 207-948-3741

THE ALUMINUM TOWER LISTED IN THE "ESTATE AD" ABOVE HAS BEEN SOLD FOR USE IN THE AUGUST UHF CONTEST AT SPRUCE KNOB.

FOR SALE: Ampex - stereo reel to reel tape deck w/built-in pre-amp - 3 3/4 7.5 speeds w/tape counter \$50; complete ATV set-up-homebrew working camera, xmtr, rcvr, 2 TVs, accessories books, metal shelves \$75; portable tandberg 2 track reel to reel tape recorder & player - 1 7/8 & 3 3/4 speeds w/tape counter & Veritas Dynamic Mike \$20.

CONTACT: Doc, K3GAS
Phone: 215-635-1078

FOR SALE: Estate of John Mallon: Antennas, must be taken down. Cushcraft 22 ele. two meter beam. Mini-products: 6-10-15-20 Mini beam 2 ele. mini quad. CDE rotor "U take down" section of 25G Rohn tower included \$125.

Phone: 215-271-8898
FOR SALE: TS520 VFO only \$135; Drake MN-2700 ant. tuner 160 mtrs thru 10 \$250; IC2AT (ex. condx) 2 mtr. H.T. (std. pkg) \$160; Daiwa CN620 Mtr \$79; SP-520 \$25; Etek FR4 dig. R/O for Drake twins, brand new \$150; Kenwood 2 mtr. radio 7950 \$270; Collins KWM-380 xcvr (SN 1588) \$1800; Alpha 76A \$1050; MFJ super keyboard (\$339 list) \$125; For ASCII, Baudot, CW buffer stage of 250 characters. Hygain TH3 jr. 10,15,20 mtr tri-band ant. \$100; Ham 4 rotor \$150; 2 RIW ant. & stacking 14T at \$75 for pkg. Shack desk console two shelves \$100.

CONTACT: K3UKW, Tony Musero
1609 So. Iseminger St.
Phila., Pa. 19148
Phone: 215-271-8898 after 6 P.M. usually.

* * *

CHANGE OF ADDRESS

W1YHO - Gary Dallas
#4 Aspen Street
Windham, NH 03087
603-432-7469

K3ZPN - Lloyd Shoenig
P.O. Box 596
Mount Laurel, N.J. 08054

VISITORS-APRIL 18, 1985 MEETING

KA2NYF - Janet, Voorhees, N.J.
KA3LIN - De, Penndel, Pa.
W3AJS - Ed Keener, Oreland, Pa.

* * *

RESULTS OF 1985 ARRL JANUARY VHF
SWEEPSTAKES

SINGLE OPERATOR

1. WA3AXV	235,756*
2. WB2WIK	179,712
3. KC2PX	127,848
4. W3HFY	115,672*
5. K3HP	106,020
6. WB2YEH	103,448
7. WA2TEO	100,116
8. WB3JYO	97,350*
9. WA3YUE	92,512*
10. N2BJ	90,090

MULTI-OPERATOR

1. W1VD	614,208
2. N2SB	583,186*
3. WA2OMY	304,152*
4. N2BOW	250,632
5. WB3CZG	224,256
6. W2SZ	167,628
7. WD8ISK	155,946
8. W3KKN	155,700*
9. W1QK	148,092
10. VE3LNX	120,064

* PACK-RATS

CLUB COMPETITION RESULTS

UNLIMITED CLASS

1. MT. AIRY VHF CLUB	2,617,892
2. ROCHESTER VHF SOC.	767,060

MEDIUM CLASS

1. DELAWARE VALLEY VHF CLUB -	
	506,306

* * *

VHF QSO PARTY, JUNE 8-9, 1985

The Suburban Amateur Radio Club (K3MTK) is planning to Contest again from BIG POCONO STATE PARK near Tannersville, Pa. (Elevation 2300 Ft.)

If there are any PACK RATS that would like to join us, please call WB3ESS - John 215-767-6861, WB2YEH, Bob, 609-655-8488 or WA3LBI, Jim 215-345-5143.

We will be operating all bands from 50 Mhz through 2304 Mhz.

* * *

TID BITS

Al Boblitt, K3EOD, dropped in at our April meeting - looking good Al...

Sunspot No. for March 1985 = 11.9. Smoothed No. for Sept. 1984 = 33.4. (There is a possibility that Cycle 21 may hit bottom by Mid to Late 1985 - - Surely by Mid 1986 making a 9 1/2 to 10 year Cycle.

K3IGX, Dick Boyle from Arizona visited with us at the April 18, 1985 meeting.

The 1296/2304 Mhz Conference 1985 will be held at the Holiday Inn, Estes Park, CO from September 17 to 22, 1985. For registration details contact Doc Hilliard, W0PW, P.O. Box 563, Boulder, CO 80306. (W8CL has details and a registration form)

NF2L, Bill Smith looking good after recent surgery. Missed you at the April meeting!

De, KA3LIN, gave an interesting talk on the ARRL ARES - looking for volunteers to enlist in emergency work in Bucks County.

Our best wishes to Gary (WA2OMY) and Jenifer on their Nuptial Day May 11, 1985.

Welcome Back W3NSI, Lyn & Sally from their vacation - Also, K3IUV, Bert & Harriet.

A number of Pack-Rats worked DX on 2 meters during the strong Aurora on Saturday

April 20, 1985

John Tate, K3KTY home from hospital recuperating from serious surgery. Had an FB Telcon with him on April 23, 1985 - his tower still in Reading, Pa. - wants a 6 meter squalo. Sends his 73 to the gang.

10 Watt 432 Mhz. Linear Amplifier

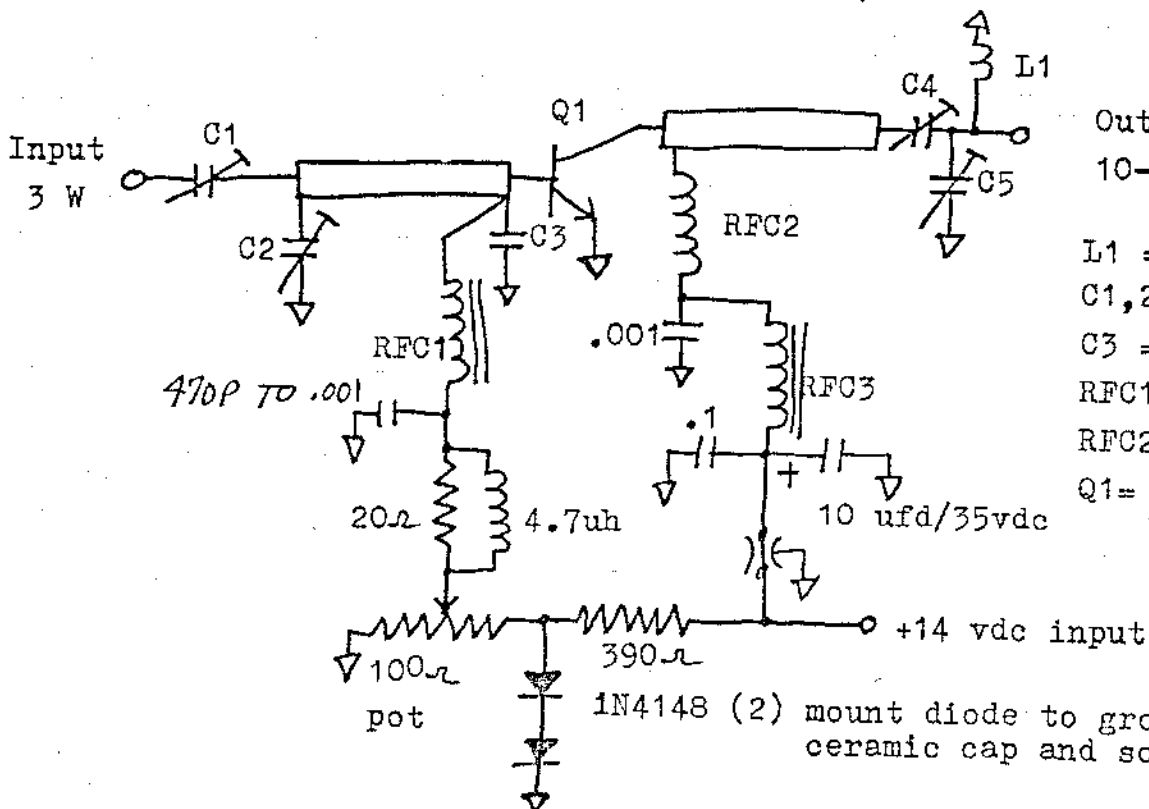
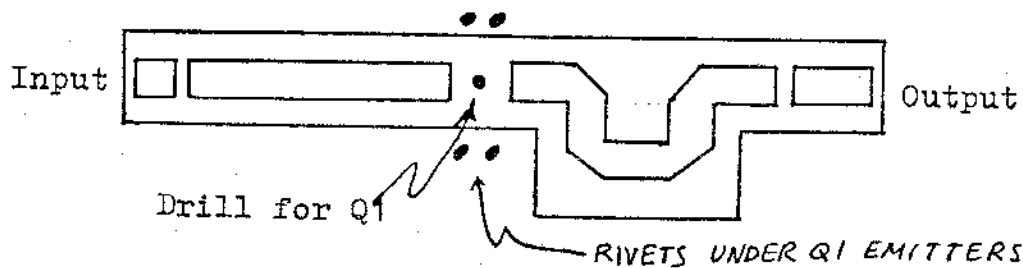
by D. Mascaro, WA3JUF

This amplifier can be used to drive the SD1434 Linear amp. described in an earlier issue of Cheese Bits.

The pc board can be etched or cut with an exacto knife. The lines are not critical at all. A hole is drilled in the board to accept the transistor, which is attached to a suitable heatsink. No artwork was shown for the dc components. This can be added to your board using small pads to mount the components for the bias and collector supply.

The pot is adjusted for an idling current of 25-50 ma. with no drive signal. Then the trimmers and size of L1 are adjusted for max. power out.

Artwork on 1/16" G-10 Double sided Scale 1:1



Output
10-12 Watts

- L1 = 1t, #22, 0.2" d
- C1,2,4,5 = 10p Piston
- C3 = 24pf chip or mica
- RFC1,3 = VK200 choke
- RFC2 = 4t, #22, 1/8" d
- Q1 = SD1146, SD1433 or 2N5946

mount diode to ground across Q1 ceramic cap and solder to emitter.

FROM WESTLINK REPORT

April 19, 1985

THE FCC HAS FINALLY COMMENTED on the action is recently took it temporarily suspending the 2 meter operating privileges of Richard Whiten, WB2OTK, of Piedmont, South Carolina. According to Richard W. Smith, Chief of the FCC's Field Operations Bureau, the cable television ingress problems have been solved to a great extent. In spite of that, some direct-to-viewer interference from Whiten's transmitter and amplifier still does exist. For that reason, the matter cannot be considered closed. Smith detailed a number of cases where TV viewers who are not connected to the cable system suffer severe interference in the form of fundamental overload or audio rectification whenever WB2OTK is on the air. What complicates the problem, according to Smith, is that Whiten's primary 2 meter station is designed for weak signal DXing, and he often transmits with fairly high power. When the gain of Whiten's antenna is taken into account, the station's effective radiated power is several thousand watts. Obviously, some consumer electronic equipment cannot handle this power level without degradation in performance. Smith indicated that the FCC had a responsibility to the entire community, not just to one individual. He said that the large number of complaints received from Whiten's neighbors, coupled with his failure to give much assistance in solving the RFI he was creating, dictated the original action in temporarily suspending WB2OTK's operating privileges on 2 meters. Dick Smith also disagreed with Whiten's assertion that it was he, himself, who had suggested limiting his operating time. The FOB Chief noted, however, that regardless who made the initial suggestion, it was the FCC's prerogative, and not that of one of his licensees, to take such action. Smith added that the matter of WB2OTK cannot be closed until all of the interference caused by Whiten's high power 2 meter station is eliminated. He also said that he was unaware of any threat of legal action against the FCC had WB2OTK's operating privileges not been reinstated. Bureau Chief Smith is somewhat of an expert in the handling of RFI - related matters, having served as an FCC field engineer, including a stint in the Los Angeles area during the heyday of high-power 6 meter, AM activity. With this background, Smith has a better understanding of these problems than most FCC officials.

* * *

FROM LERC AMATEUR RADIO CLUB BULLETIN RCVD. 1/31/85

SILENT KEY

RAY MEYERS, W6MLZ 1895-1984

Ray Meyers, W6MLZ, was truly one of the great old-timers of amateur radio. He was first involved with the avocation in 1909 and in 1910 was on the air with the call MI. Later he held a succession of calls, including 2NI, W3AJZ, K7XI, and W6MLZ. At the age of 15 Ray was a telegraph and cable operator in New York City. He served in the U.S. Navy from 1914 to 1930 and from 1941 to 1947, retiring with the rank of Lt. Cmdr.

Out of a long career of notable events, one of his favorites was in 1931 when he was news correspondent and aide to Sir Hubert Wilkinson on the first attempt of the submarine Nautilus to reach the North Pole. He served unofficially as radio operator and electrician and set up instruments and a camera to record the first submerged trip to the North Pole. They were not officially credited with it however, since the "proof" was not good enough. Ray received the International Gold Medal from the Veteran Wireless Operators Association for his rescue operations after the submarine batteries went dead and he was able to send SOS signals by utilizing a receiver oscillator, thus saving the submarine and crew.

Ray served several terms as ARRL SW Division Director. He wrote an Amateur Radio column in the Los Angeles Herald Examiner and hosted an Amateur Radio program on Radio Station KPFK. Closer to home, Ray was employed at Lockheed as Communications Manager, and was instrumental in setting up Lockheed's radio facilities at Briar Summit. At that time, he also was one of the founders of our club, the LERC AMATEUR RADIO CLUB. He remained a Life member of our club and continued to be interested in the club welfare and activities, even though he was unable in recent years to make the trip from San Gabriel.

Ray will be missed by all who knew him and by those of us who knew him only by reputation. NOTE: I met Ray Meyers and Sir Hubert Wilkinson when the Nautilus was in drydock at the Phila. Navy Yard in 1931 - W3CL.

(215) 355-5400

MARKETLINE™

SYSTEMS, INC.
975 JAYMOR ROAD
SOUTHAMPTON, PA. 18966

Computers & Peripherals

73 Amateur Radio's Technical Journal

PO BOX 931
FARMINGDALE, NY 11737

\$25 one year \$53 three years

NE 7-8329

GEORGE S. VAN DYKE, JR., P.E.
CONSULTING ENGINEER

W3HK

4607 CONVENT LANE
PHILA., PA. 19114



AMIL S. GUMULA
PRESIDENT

A. G. RADIO PARTS CO.
939 TOWNSHIP LINE RD.
ELKINS PARK, PENNA. 19117
TELEPHONE: 215-866-5100

RCA Authorized
Distributor

(302) 328-7728
ORDER LINE 800-441-7008



Delaware Amateur Supply

"AMATEUR SALES AND SERVICE"

PAUL WA3QPX
KATHY KA31YO

71 MEADOW ROAD
NEW CASTLE, DELAWARE 19720

AMATEUR
SALES & SERVICE

(215) OL 9-5900

"HAM" BUERGER INC.

Communication Specialists

BOB HERSHMAN
WA3ZID

68 N. YORK RD.
WILLOW GROVE, PA. 19090

215-342-5982

WA3HIT

Paul and Betty Rilling

INCOME DIVERSIFICATION

5830 Weymouth Street -Phila., Pa.19120

The Ham Radio Publishing Group



Greenville, NH 03048 (603) 878-1441

HAM RADIO - the Technical Ham's
Magazine. Ask for a free sample
copy or our Book Catalog.

CALL DOC CUTLER (K3GAS)
FOR YOUR ELECTRONIC NEEDS

NEW, RECONDITIONED, OR AS IS.

LOW PRICES

by appointment

215-635-1078

Heathkit® ELECTRONIC CENTER

Stan Demski
Manager

Heathkit Electronic Center
6318 Roosevelt Blvd.
Philadelphia, Pennsylvania 19149
(215) 288-0180



NESHAMINY TRAVEL SERVICE

Harriet Seltoff
Home: (215) 947-4483

Phone:
(215) 757-1585

2337 Neshaminy Blvd.
Bensalem, PA 19020

BROWSING - THURS. 7⁰⁰ - 9⁰⁰
SAT. 9⁰⁰ - 4⁰⁰

Day-Nite (215) 455-2121

FERTIK'S ELECTRONICS

Components & Equipment

LEON FERTIK

5400 ELLA STREET
PHILADELPHIA, PA. 19120

LUNAR, MICROWAVE MODULES, ARCOS, ASTRON, KLM
TAMA, TONNA F9FT

THE VHF SHOP

GERRY K3MKZ
Box 349 R.D. 4
Mountaintop, Pa. 18707

(717) 868-6565
M - F after 6:00 p.m.
Weekends Anytime!

EASTSIDE SURPLUS SALES

12894 NE 15th PLACE
BELLEVUE, WA 98005

(206) 453-0795

Carl Barish
KC7ZC

A CANDY STORE OF PARTS FOR THE EXPERIMENTER.

(302) 328-7728
ORDER LINE 800-441-7008



Delaware Amateur Supply

"AMATEUR SALES AND SERVICE"

ROB WA3QLS
GAIL KA3ITN

71 MEADOW ROAD
NEW CASTLE, DELAWARE 19720



Jenkintown & Glenside Electric Co.

WA3WLQ

220 YORK ROAD
JENKINTOWN, PA.
TUrner 4-0375 - 4-1080
WA 7-4325

"HAM" BUEGER, INC.
 Electronic Equipment Distributor
 "Right in the middle of a lot of good company!"
 68 N. YORK ROAD
 WILLOW GROVE, PA 19090
 215-659-5900
 Service Since 1956

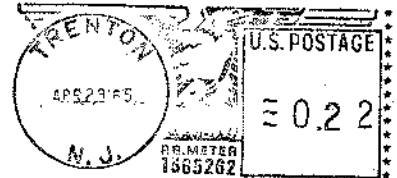
If we're judged by the company we keep, we should do pretty well!

BOOK OF ETHICS




Wilson Electronics Corp.
Xcelite
SPRAGUE
TELEX
Cushcraft
TAB BOOKS
TRW
NBC
South River
BEANCOF
"W2AU"
Larsen Antennas
ASIATIC
Miller
Saxon
ICOM
Weller
TPL
GILFER LMB
nte
COE
DRAKE
MISCO
BIRD
Vector
HUSTER
Phelps Dodge
AMCO
SWAN
COVER CRAFT
AMP SPECIAL INDUSTRIES
Waldom
callbook
communications specialists
DRINK
SOMAR
ES
TCR
ES

Cheese Bits
 2087 Parkdale Ave.
 Glenside, Pa. 19038



MEETING NOTICE

MT. AIRY
 VHF
 RADIO
 CLUB,
 INC.



PACK RATS

W3FQD
 DICK HUNTZINGER
 130 FAIRHILL DR.
 CHURCHVILLE, PA. 18966

DUES

FIRST CLASS