

# PACK RATS'



**PACK RATS**

CLUB CALL: W3CCX

MT. AIRY VHF RADIO CLUB, INC.

# CHEESE BITS



MT. AIRY VHF RADIO CLUB, INC., PHILADELPHIA, PENNSYLVANIA  
50.125, 144.150, 220.125, 432.110, 1296.110 Mhz W3CCX - Repeater 222.98/224/58 Mhz  
Affiliated Club: AMERICAN RADIO RELAY LEAGUE  
Meetings: Third Thursday of each month at 8:00 P.M.  
Southampton Free Library, 947 E. Street Road  
Southampton, Pennsylvania 19866

ARNS

VOLUME XXVI

JANUARY, 1987

NUMBER 1

## THE PREZ SEZ

First I would like to say HAPPY NEW YEAR to all Packrats and their families for 1987. I hope everybody is enjoying the holidays. I also thank Bob and Rick for giving a good kickoff for the Contest in January.

There were a few items of concern expressed at the meeting which I also have been thinking about. The largest is the concern of competition for the club in the future. It is entirely possible that within a couple of years, we could find ourselves struggling to maintain our position in the unlimited category. New clubs HAVE BEEN formed that seem to be rapidly attracting new members to join. Take, for instance, the increase of activity on 2 alone. How many of these new calls is a Packrat?

Looking back, it is easy to see how far we have come, especially on the higher bands. I remember running checks with stations starting about a month before the contest on 1296,432 and 220. Now, however, few stations seem to need help getting things ready. This is good for established stations, but it is hard to see real growth. We have to be on the lookout for stations that seem interested in trying new bands and modes. If you hear of a new call on 2 SSB and he is in your area, let the board know. We can send Cheesebits to people to let them know there are people interested to help him!

That's all for now. If anybody needs any last minute help, let Bob, N2SB know or myself.

73,

Gary Hitchner, WA2OMY

\* \* \*

## IN MEMORIUM

William Benner, W3KM, a Charter Member of the Pack-Rats, became a silent key on December 7, 1986. Bill was a good man and will be missed. May his soul rest in peace.

THE MT. AIRY VHF RADIO CLUB, INC.  
Philadelphia, Pa. and is published monthly.

SUBSCRIPTION RATE - \$3.00 PER YEAR

We operate on an exchange basis with other publications. Anything that is printed in CHEESE BITS may be reprinted, unless otherwise stated, provided that proper credit is given.

SWAP SHOP ITEMS - NO CHARGE

DEADLINE FOR ARTICLES IS THE GENERAL MEMBERSHIP MEETING: THE THIRD THURSDAY OF THE MONTH.

EDITOR:

W3CL, HARRY B. STEIN  
2087 Parkdale Avenue  
Glenside, Pa. 19038  
215-887-5052

PUBLISHER/SUBSCRIPTION MANAGER:

K3GAS, DOC CUTLER  
7815 New Second Street  
Elkins Park, Pa. 19117  
215-635-1078

PRINTER:

WB2VLA, DAVID POWER  
609-882-1040

TYPIST:

WA3TEM, MARSHA LISSAUER

TRUSTEE OF THE CLUB CALL - W3CCX:

WA3AXV, RONALD WHITSEL  
215-355-5730

AWARDS CHAIRMAN:

W2EIF, JOSEPH KILGORE  
609-783-9478

CLUB HISTORIAN:

W3CL, HARRY B. STEIN

MONDAY NIGHT NETS

7:30 PM - 50.125 MHZ  
8:00 PM - 144.150 MHZ  
8:30 PM - 222.98/224.58 MHZ  
8:45 PM - 220.125 MHZ  
9:00 PM - 432.110 MHZ  
9:30 PM - 1296.1 MHZ

NET CONTROL

W3CL  
W2EIF  
K3GAS  
KS2T  
K3IUV/K1PXE  
- - -

PACK RAT REPEATER 222.98/224.58 MHZ/ W3CCX  
LOCATED IN CHURCHVILLE, PA.

PRESIDENT: WA2OMY, GARY HITCHNER  
VICE-PRES: N2SB, BOB COOK  
COR. SECY : W3CXU, JOHN ALLEN  
REC. SECY : WA3AQA, WALT ZUMBACH  
TREASURER: K3GAS, DOC CUTLER  
DIRECTORS: WB2RVX, MIKE GULLO (EX-OFF)  
WB3DNI, PAT CAWTHORNE (2 Yrs)  
WB2VLA, DAVE POWER (2 Yrs)  
N3CX, DAVE HACKFORD (1 Yr)  
WA3JUF, DAVE MASCARO (1 Yr)



THE AMERICAN RADIO RELAY LEAGUE

OST

HUGH A. TURNBULL, W3ABC  
Director, Atlantic Division

6903 RHODE ISLAND AVE.  
COLLEGE PARK, MD. 20740

(301) 927-1797

1-302-478-2757

AMATEUR  
and  
ADVANCED  
COMMUNICATIONS

"Gisele"

K3WAJ

G. B. WALLS

3208 CONCORD PIKE (RT. 202)  
WILMINGTON, DEL. 19803



Pennsylvania Institute  
of Technology  
ENGINEERING

PAUL D. MERCADO

Chairperson, Drafting Design Department

215-565-7900  
Rose Valley-Notre Dame Campus  
800 Manchester Ave., Media, Pa. 19063-4098

FOR SERVICE CALL  
(215) 672-3850  
(215) 622-0808



MICHAEL McMACKIN

REGISTERED PLUMBING & HEATING  
BATHROOM INSTALLATIONS • ELECTRIC DRAIN CLEANING

1307 HILLTOWN PIKE  
LINE LEXINGTON, PA 18932

2405 PARKSIDE AVE.  
HATBORO, PA 19040

CALENDAR OF COMING EVENTS  
By Harry Brown, W3IIT

JANUARY

- 1           HAPPY NEW YEAR
- 3           Predicted peak of the Quadrantids meteor shower at 1930 UTC.
- 8           Packrat Board of Directors meeting at the QTH of W3KKN at 8:00 P.M.  
Call 659-3485 for directions.
- 10-12       The 40th Annual ARRL VHF Sweepstakes will be held. See December QST  
Page 79 for rules.
- 15          January Packrat Meeting at the Southampton Free Library on Street  
Road in Swouthampton, Pa. Program will be the annual Crying Towel session.  
Be prepared to tell why you had it so bad, the QRM, the grids that got  
away, the openings missed, the frozen rotators, etc. All interested VHF'ers  
are welcome. Meeting starts promptly at 8:00 P.M.
- 18          The Richmond Frostfest will be held at the State Fairgrounds. Talk-in  
on 28/88 and 34/94.
- 24-25       The Sarasota ARA will hold the 8th Annual Sarasota Hamfest at the Civic  
Center at 801 N. Tamiami Trail. Talk-in on 13/73, and 31/91.
- 25          The Yonkers ARC Electronics Auction will be held at Lemko Hall,  
556 Yonkers Avenue, Yonkers, New York. Talk-in on 146.865, 440.150, or  
146.52.
- 28          EME Perigee.
- 31          First U.S. Satellite launched 1958.

DUES ARE DUE FOR 1987

BICENTENNIAL CELEBRATION OF THE U.S. CONSTITUTION

The following is quoted from a memorandum sent by Steve White, WA3IAO to all members of the DELAWARE VALLEY COUNCIL OF AMATEUR RADIO CLUBS.

" During 1987, Philadelphia will be host to the "We the People 200 Celebration" commemorating the 200th Anniversary of the United States Constitution. As an attorney and native Philadelphian I appreciate the special historical significance which this event represents throughout the world and to our region in particular.

There is a major role for Amateur Radio during this celebration. Not only can we "advertise" the existance of the event by operating a Special Events Station, but we can also generate substantial interest among visitors to the station to become licensed Hams themselves.

DVCARC has approached the National Park Service ("NPS") for permission to operate a Special Events Station within the Visitors Center, 3rd and Chestnut Streets, Philadelphia."

NOTE: If DVCARC is interested in proceeding with this project, a working committee will be established .. more later.

## VHF/UHF NEWS

The VHF, UHF bands (from 2 meters up) went crazy over the Transkgiving Holiday period. A number of Pack-Rats worked DX grids all the way up to 2304 Mhz. N3EAX, Tom reported working 162 contacts on 2 meters with 20 new grids. The best DX EM 12 and 13. On 432 Mhz he made 40 contacts and 22 grids - best DX also EM 12 and 13. He was only running 10 watts! KS2T reports receiving an FB QSL card from W6JKV/CU2. Also stated he is really a loser at the Casinos in AC - out \$275!!

\* \* \*

## GREETINGS FROM NOVA SCOTIA

Received a nice letter from Bernie, VE1UT making a correction to Bob's (W3GXB) article on his and XYL Ruth's visit with VE1UT in Nova Scotia. There are about 40 hams in the Yarmouth Area but there are approximately 1200 licensed hams in all of Nova Scotia. Bob at the December meeting said he stands corrected - and he did Bernie - hi! VE1UT closed by writing "73 and happy holidays to all your members."

## TID BITS

Sunspot No. for November 1986 = 14.7. Smoothed No. for May 1986 = 14.5.

Congratulations to Helen Brick (Fondly known as "Mother Rat") making the "cover girl" on the Red Cross Disaster Action Team Information Pamphlet. Helen has been a red cross volunteer for many years.

A note from Lyn and Sally Rowland (W3NSI) from Hawaii - Send their holiday greetings to all.

Sorry to report that an old time Pack-Rat, EX-W3CKP, Warren Parker became a Silent Key. A memorial service was held in Doylestown in November.

The 6 meter band was open the 19th, 20th, 21st and 22nd to the Southwest and West. A number of Pack Rats worked some new grids.

The Rowlands, Lyn and Sally W3NSI, have returned to spend their holidays in the local area..... and to celebrate Lyns birthday on December 24th.

\* \* \*

## CONTEST TIPS

Did you receive your Contest Packet - if not, contact your Team Captain.

The Contest Chairman, Bob Cook, N2SB reminds us to contact our club members on all available bands. Use the Pack-Rat check-off list on January 10 - 12, 1987.

All logs must be turned in to your Captain or Committee members prior to Thursday, January 22, 1987, when a recap meeting will be held that evening at the home of Dave Zimmerman, W3ZD.

Our Indiana Pack-Rat, Dick Bokern, WB9PUJ, suggests we look for him on Sunday morning (time in EST out there also). Turn your beam West Dick sez and fire up the 6 meter rig.

Our Georgia Pack Rat, Jim Holt, N3AHI will be on 6 meters after 12 P.M. Saturday Nite until 9 A.M. (local time) in the morning. He sez if you want a sked - U call and we haul! (Note: Jim was the Contest Chairman for Gavel #22).

\* \* \*

SWAP SHOP

FOR SALE: 1975 VW Beetle; HO trains and accessories;  
Club Mimeo Machine (Gestetner) New \$25. Tubes;  
variable caps, feed through caps, button  
caps & piston caps, resistors (all types)  
Small stereos; cassette tapes.  
CONTACT: Doc Cutler, K3GAS  
Phone: 215-635-1078

WANTED: Clegg 6 meter Venus w/or  
without power supply.  
CONTACT: WA3RSQ, Charles Gianetti  
Phone: 215-266-1552 or on  
A.M. 50.110 SSB or  
144.2 SSB

\* \* \*

COMMERCIAL ADS

LOOP YAGIS: 902 Mhz and 1296 Mhz \$77 kit, \$93 assembled and tested. 2304 Mhz \$67 kit and \$80 assembled. Also, 2 and 4 way power dividers and stacking frames. LINEAR AMPLIFIERS: 1296 10W in 35 watts out \$295, 1W in 18W out \$245. Call for special Pack Rat discounts and prices on complete arrays! New!!! Microwave Transverters and preamps by LMW ELECTRONICS. 2304 Mhz deluxe transverter Model 2304 TRV2D; 144 Mhz I.F. Power out 2 watts, includes separate GaAs FET preamp, N.F. 1 dB and built in T/R sequencing circuit, relative output meter and built in I.F. Attenuator to match inputs from 100mW to 10 watts. Price complete \$569; 1296 Mhz deluxe transverter, model 1296TRV6D similar to 2304 unit 6-7 watts out, .7dB N.F. Price: \$489. Stripped down versions available at lower cost also available in kit form. 902 Mhz version coming soon. Universal Local Oscillator Kit model ULO. Multiple outputs in 1 to 1.2 GHz range depending on xtal. \$33.75 less xtal. Write for complete catalog. DOWN EAST MICROWAVE, Bill Olson, W3HQT, Box 1655A, RFD #1, Bernham, ME 04922. Phone: 207-948-3741.

\* \* \*

WHY IS IT?

(An Oldie from Pack Rat Cheese Bits, Philadelphia)

WHY IS IT THAT:

1. Everybody has to use the same frequency at the same time?
2. After working a DX station, the buy calls CQ right on top of him?
3. Everybody knows where the new station is and they all call at once.
4. Everybody has to cram into the lowest 5 kHz of each band.
5. Phone stations have to work on top of CW stations.
6. Some stations call CQ, then move off frequency before they listen.
7. Some stations use splatter modulation.
8. Everybody works somebody twice during the contest.
9. The guys with the calls with letters that all sound alike talk the fastest.
10. The ball point pen runs out of ink in the middle of the contest.
11. The log sheets keep falling on the floor.
12. You are deaf after the contest.
13. You remember the guy that steps on a new station, but forget the one that helps you get a new one.
14. DX always show up 180 degrees away from where your beam is pointed.
15. You hear that the band was open when you were away from the operating position.  
and on and on and on..... (from the December 1986 issue of the ARNS Bulletin)

\* \* \*

VOTED TO MEMBERSHIP

December 18, 1986 meeting

KB3XG - John Sortor XYL-Cinda  
8 Belmont Square  
Doylestown, Pa. 18901  
215-340-0847

Sources of Electronic parts

DIGI-KEY CORP. \*\*  
P.O. BOX 677  
THIEF RIVER FALLS, MN. 56701  
1-800-344-4539

KCS ELECTRONICS CORP.  
P.O. BOX 33205  
PHOENIX, AZ. 85067  
602-274-2885

MOUSER ELECTRONICS \*\*  
2401 HIGHWAY 287 NORTH  
MANSFIELD, TX. 76063  
817-483-4422

SPECTRUM ELECTRONICS  
5932 MARKET ST.  
PHILA., PA. 19139  
215-748-3010  
1-800-523-0721

CIRCUIT SPECIALISTS  
P.O. BOX 3047  
SCOTTSDALE, AZ. 85257  
1-800-528-1417

JAMECO ELECTRONICS  
1355 SHOREWAY RD.  
BELMONT, CA. 94002  
415-592-8097

HANIFIN ELECTRONICS CORP.  
P.O. BOX 188  
BRIDGEPORT, PA. 19405  
215-275-3233

SVEA ELECTRONICS  
P.O. BOX 3375  
TORRANCE, CA. 90510  
1-800-421-2841

RF ELECTRONICS  
1086-C N. STATE COLLEGE BLVD.  
ANAHEIM, CA. 92806  
1-800-854-4655

ALL ELECTRONICS CORP.  
905 S. VERMONT AVE.  
P.O. BOX 20406  
LOS ANGELES, CA. 90006  
213-380-8000

CALL OR WRITE FOR CATALOGS

\*\*START WITH THESE FIRST

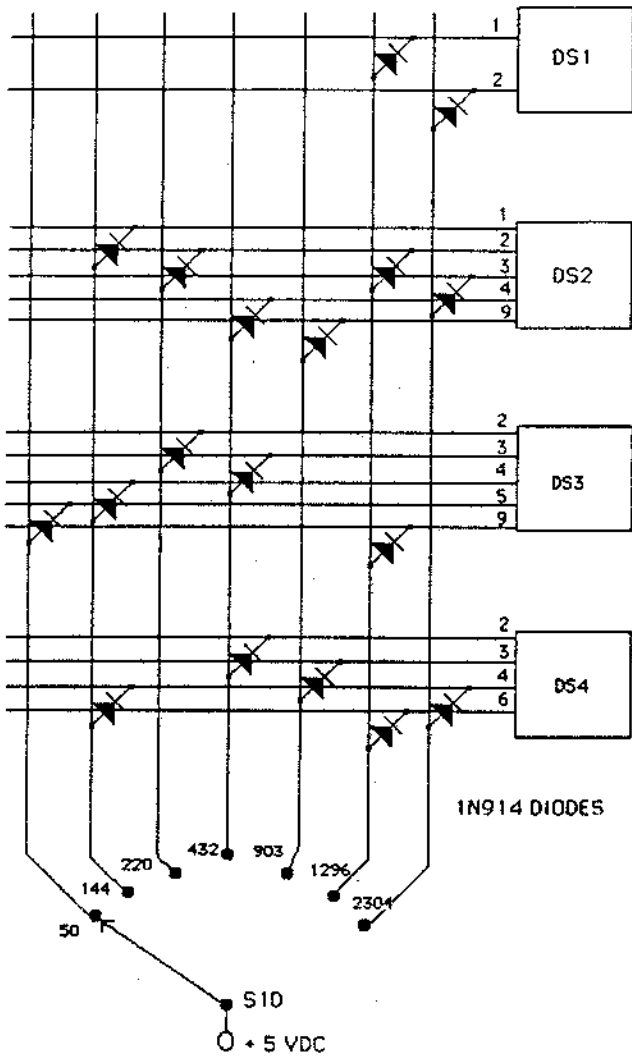
- 6 -

D. MASCARO, WA3JUF

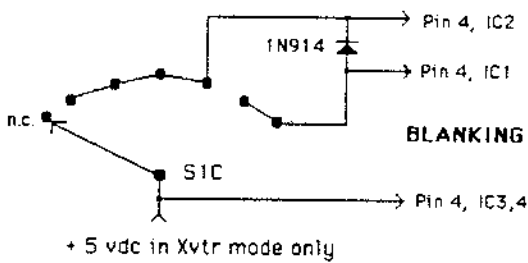
Jan. 1987 1296 Activity List

Call	Grid	Call	Grid	Call	Grid	Call	Grid				
WORSJ	FN20	*#+	K2BWR	FM29	K2UYH	FN20	K3MTK	FN21	*#		
N1BC	FN42		K2CBA	FN32	W2VC	FN20	WA3NUF	FN20	* +		
KA1BXB	FN31		N2CE1	FN20	WB2WIK	FN20	WA3NWL	FN20			
WB1CJT	FN42		W2CNS	FN13	N2WK	FN13	WA3NZL	FM19			
W1DGA	FM19		W2CRS	FN32	WA2WJL	FN13	AK3D	FN20	* +		
KA1DHO	FN42		N2CYM	FN20	K2YCO	FN13	K3QCQ	FN20			
N1DPM	FN32		KK2D	FN30	WB2YEH	FM29	*	KB3QM	FM28		
K1DPP	FN42		W2DMC	FN21	AA2Z	FN31	#	KQ3R	FN11	*#	
K1DS	FN41		W2DRZ	FN02	K2ZRJ	FM29		W3SJI	FN20		
W1EJ	FN42		W2EIF	FM29	*#	N3AOG	FN20	* +	K3SXA	FM29	
WB1FKF	FN42		WA2EUS	FN30		WA3AXV	FN20	* +	W3TNP	FN20	
W1GCI	FN31		K2EVJ	FN13		N3BBI	FN20	+	WA3TTS	EN90	
W1GXT	FN42		WA2FGK	FN20	*	K3BPP	FN20	* +	WA3TXR/1	FN31	
WA1JOF	FN42	#	WA2FVN	FN20		W3CCX/8	FM08	*#	WA3TZH	FN20	
W1JOT	FN42		K2GAL	FM29		N3CFE	FN20	*	WA3UGP	FN20	*
W1JR	FN42	*#	K2GE	FN20		N3CX	FN20	*#+	W3VIR	FN20	*
K1LPS	FN44		WB2GEZ	FN20	+	W3CXU	FN20	* +	K3VIT	FN20	+
WA1MBA	FN32		K2GK	FN12		WB3CZG	FN20		W3WFM	FM18	
W1NY	FN31		W2GUN	FN20		N3DCR	FN20	*	W3WI	FM18	
KA1OJ	FN43		K2IBP	FN20		VE3DKW	FN03		WA3YON	FN20	
WA1OUB	FN31		W2IJX	FN20		WB3ONI	FN20	+	K3YTL	FN11	*#
W1PBB	FN31		KC2J	FN20		KA3EAQ	FN20	*	WA3YUE	FN20	+
K1PQO/1	FN42		WB2JHG	FM29	#	N3EAX	FN20	+	K3ZMA	FN20	
W1PV	FN31		W2JHY	FN20		KA3EE0	FN20		AB4L	FM07	
K1PXE	FN31		KA2JKI	FM29	+	WA3E0Q	FN20		W40JK	EM96	
W1QK	FN31		W2KFC/4	FM19		WB3ESS	FN20	*	K4QIF	FM16	
W1RIL	FN42	*#	WA2LSE	FN20		WA3FFC	FN20		K4QKR	FM06	#
WA1RWU	FN32		K2LZF	FN12		N3FL	FM19		KF6AJ	FN31	+
K1RZ	FM19		WB2NEC	FN21		WA3FYJ	FN00		WB8BKC	EN82	
WA1STO	FN31		K2NJ	FN20		K3GAS	FN20	+	N8DJB	EN81	
AF1T	FN43	*#	WB2NPE	FM29	*#+	WA3G00	FM29		W8DJY	EM79	
WA1TFH	FN42	*	WA2OMY	FN20	*#+	K3GYS	FM29	+	NI80	EN80	
W1TKZ/1	FN33		WB2ONA	FN20	+	W3Hfy	FM29	*#	KD8SI	EM79	
K1TR	FN42		NF2P	FN20	*	K3HP	FN20		WA8TXT	EN81	*
WA1TZV	FN42		W2PGC	FN02	#	W3HQT	FN54	*#+	K8WJ	EN91	*
WA1UQC	FN31		KC2PX	FN20		K3HWC	FN20		W8YIO	EN82	*
VE1UT	FN63		WB2QOQ	FN20		K3HZO	FM18	*	WB8ZAR	FN10	+
W1VD	FN31		WA2RQC	FN23		W3IIT	FN20	+	W91P/2	FN24	
K1WHS	FN43		WA2RUG	FM29		W3IP	FM19		W921H	EN61	*
WA1WXV	FN31		WB2RVX	FM29	+	K3IVO	FM18				
K1ZZ	FN31		KA2SAT	FN20	*	WA3IWT	FN20	+			
W2AWX	FN31		N2SB	FM29	*#+	W3IY/4	FM19				
KT2B	FN20		K2SMN	FN20		KC3JH	FM28				
N2BJ	FN21		W2SZ	FN22		WA3JUF	FN20	*#+			
K2BJG	FN21		W2SZ/1	FN32	*	W3KKN	FN20	+			
N2BKT	FN21		W2TC	FN20		W3KWH	EN90				
N2BMN	FN20		WA2TE0	FN31		WA3LBI	FN20	*			
N2BNL	FN20		W2TTM	FN20		VE3LNX	FN03	*#			
N2BQW	FN20		K2TXB	FM29		W3LP	FN20				
KA2BTD	FN20		K2UOP/4	FM17		KC3LX	FM18	*			

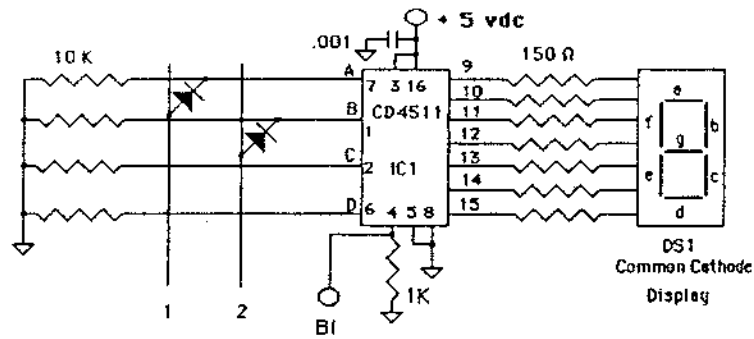
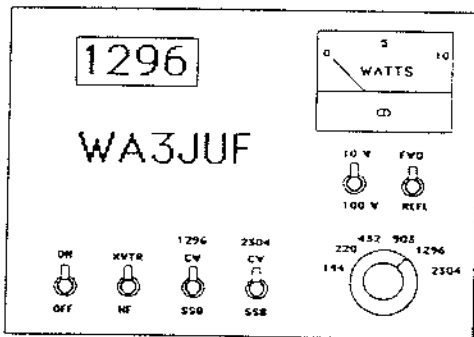
Total = 189 Pack Rats = 31 \* on 2304 # on 903 + Pack Rat de WA3JUF



1N914 DIODES

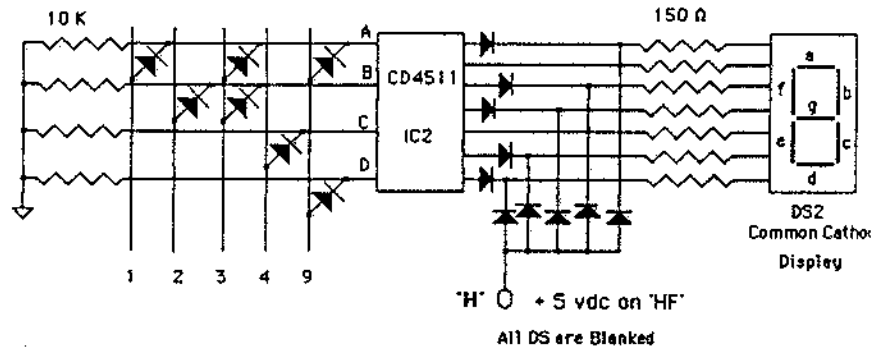


TRANSVERTER SWITCHING PANEL



1N914's = 2

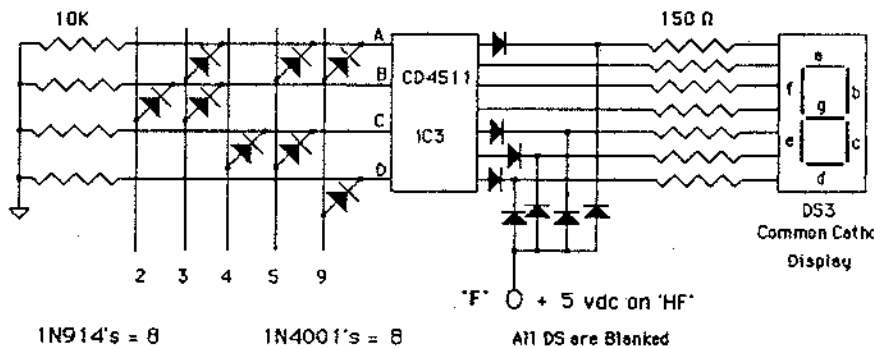
Blank DS1 on all but 1296 and 2304 MHz.



1N914's = 7

1N4001's = 10

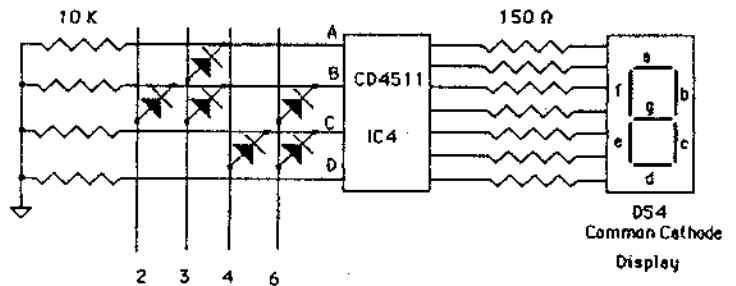
Blank DS2 on 50 MHz.



1N914's = 8

1N4001's = 8

All DS are Blanked



1N914's = 6





# DOWN EAST MICROWAVE

BOX 1655A - RFD #1  
BURNHAM, ME 04922

Microwave Antennas and Amplifiers  
by W3HQT

902 1296 2304 3456 MHz.

Bill Olson (207) 948-3741

# 73 Amateur Radio's Technical Journal

PO BOX 931  
FARMINGDALE, NY 11737

\$25 one year \$53 three years

NE 7-6329

GEORGE S. VAN DYKE, JR., P.E.  
CONSULTING ENGINEER

W3HK

4607 CONVENT LANE  
PHILA., PA. 19114



AMEL S. GUMULA  
PRESIDENT

A. G. RADIO PARTS CO.  
939 TOWNSHIP LINE RD.  
ELKINS PARK, PENNA. 19117  
TELEPHONE: 215-666-5100

**RCA** Authorized  
Distributor

(302) 328-7728  
ORDER LINE 800-441-7008



## Delaware Amateur Supply

"AMATEUR SALES AND SERVICE"

PAUL WA3QPX  
KATHY KA3IYO

71 MEADOW ROAD  
NEW CASTLE, DELAWARE 19720

AMATEUR  
SALES & SERVICE

(215) OL 9-5900

## "HAM" BUERGER INC.

Communication Specialists

BOB HERSHMAN  
WA3ZID

68 N. YORK RD.  
WILLOW GROVE, PA. 19090

215-342-5982

WA3HIT

Paul and Betty Rilling

INCOME DIVERSIFICATION

5830 Weymouth Street - Phila., Pa. 19120

## The Ham Radio Publishing Group



Greenville, NH 03048 (603) 878-1441

HAM RADIO - the Technical Ham's  
Magazine. Ask for a free sample  
copy or our Book Catalog.

CALL DOC CUTLER (K3GAS)  
FOR YOUR ELECTRONIC NEEDS

NEW, RECONDITIONED, OR AS IS.

LOW PRICES

by appointment

215-635-1078

CARL BARISH

## PRINTECH PRINTING

13620 NE 20th Suite D  
Box 4247  
Bellevue, WA 98009  
746-6000



## NESHAMINY TRAVEL SERVICE

Harriet Soltoff  
Home: (215) 947-4483

xy1 K3IUV

2337 Neshaminy Blvd.  
Bensalem, PA 19020

BROWSING - THURS. 7<sup>00</sup> - 9<sup>00</sup>  
SAT. 9<sup>00</sup> - 4<sup>00</sup>

Day-Nite (215) 455-2121

## FERTIK'S ELECTRONICS . . . . .

Components & Equipment

LEON FERTIK

5400 ELLA STREET  
PHILADELPHIA, PA. 19120

LUNAR, MICROWAVE MODULES, ARCOS, ASTRON, KLM  
TAMA, TONNA F9FT

## THE VHF SHOP

TOM KQ3R  
16 South Mt. Boulevard  
Mountaintop, Pa. 18707

(717) 474-9399  
M - F after 6:00 p.m.  
Weekends Anytime!

## EASTSIDE SURPLUS SALES

12894 NE 15th PLACE  
BELLEVUE, WA 98005

(206) 453-0795

Carl Barish

KC7ZC

A CANDY STORE OF PARTS FOR THE EXPERIMENTER.

(302) 328-7728  
ORDER LINE 800-441-7008



## Delaware Amateur Supply

"AMATEUR SALES AND SERVICE"

ROB WA3QLS  
GAIL KA3ITN

71 MEADOW ROAD  
NEW CASTLE, DELAWARE 19720



## Jenkintown & Glenside Electric Co.

WA3WLQ

220 YORK ROAD  
JENKINTOWN, PA  
Turner 4-0375 - 4-1050  
215-WA 7-4325

**"HAM" BUEGER, INC.**  
Electronic Equipment Distributor  
"Right in the middle of a lot of good company!"

68 N. YORK ROAD  
WILLOW GROVE, PA 19090  
215-659-5900  
Service Since 1956

If we're judged by the company we keep, we should do pretty well!

Xcelite  
AMPHENOL  
Spraque  
TELEX  
Cushcraft  
TAB BOOKS  
TEN-TEC  
TRW  
VIBROPLEX  
NPG  
South River  
BRANCO  
"W2AU"  
ROHN  
HAM-KEY  
Larsen Antennas  
ASTATIC  
hy-gain  
Saxton  
CES  
ICOM  
DRAKE  
CDE  
MIDOR  
Waldom  
Weller  
TPL  
GILFER  
LMB  
nte  
Misco  
BIRD  
Vector  
HUSTER  
Dodge  
SOMAR  
AMCO  
SWAN  
COVER CRAFT  
AMP SPECIAL INDUSTRIES  
Wilson Electronics Corp.

**Cheese Bits**  
2087 Parkdale Ave.  
Glenside, Pa. 19038



MT. AIRY  
VHF  
RADIO  
CLUB,  
INC.

W3FQD  
DICK HUNTZINGER  
130 FAIRHILL DR.  
CHURCHVILLE, PA. 18966

**PACK RATS**

**FIRST CLASS**