

CHEESE BITS



W3CCX

CLUB MEMORIAL CALL



ARRL
Affiliated
Club

SCANNED TO PDF BY BERT, K3JUV, 2013

VOLUME XXXIX

March 1997

Number 3

THE PREZ SEZ

The January Crying Towel session has always been my favorite program on the Packrat schedule of yearly events. After all of the hard work and fierce competition that goes into competing for the contest gavel the crying towel session allows everyone to unwind and realize that they are in good company and not the only one crazy enough to endure the tortures of this hobby we all love. John (KB3XG) was the run away winner of this years' Crying Towel Award. John's tale of woe was presented as three comedic tragedies that took place before and during the contest with the underlying theme that "no good deed goes unpunished". From a broken come-along to raising the tower at 2 AM to farm yard adventures, John had the room howling during his presentation. Thanks to everyone who participated and of course our special condolences to KB3XG.

The club contest results have been tabulated and sent to the League. The Packrats submitted 56 logs and a total combined score of 2,886,271 points which is a whisker away from the 3 million point goal we set our sights on for this year. It also appears likely that we will have four Packrats listed in the top 10 single operator standings box. The club score breakdowns are enclosed in this issue. Congratulations to all, this past year truly was the year of the RAT.

There are a couple of new club projects in the works for 1997. The first is an expansion of the W3CCX beacons to 3.4, 5.7 and 10 GHz. The second project is investigating the formation of a Packrat WEB page on the internet. As always, we need all the help we can find to make these projects a success. If you can help please give me or any of the club officers a call.

The March regular club meeting is our annual Homebrew Night. With all of the improved stations that showed up during the past June and January contests I know the art of homebrewing is still alive and well among our members. This is your chance to show off your latest creation or work in progress and compete for one of the homebrew award categories ranging from Best Design to Most Miserable Failure. No matter what your level of homebrewing skill, your project can help others learn and get ideas for their next design. See you at the meeting and be sure to bring a friend.

73

Phil WA3NUF

MEETINGS

Third Thursday each month at 8:00 PM
Southampton Free Library
947 E. Street Road
Southampton, PA 18966

Pack Rats' **CHEESE BITS** is a monthly publication of the
- **MI. AIRY VHF RADIO CLUB, INC.** -

Southampton, PA

SUBSCRIPTION RATE: \$10.00 PER YEAR (USA)
\$12.00 PER YEAR (CANADA)
\$15.00 PER YEAR (ELSEWHERE)

We operate on an exchange basis with other non-commercial publications. Anything that is printed in **CHEESE BITS** may be reprinted in a not for profit publication, unless otherwise stated, provided proper credit is given.

DEADLINE FOR ARTICLES AND SWAP SHOP IS THE MONTHLY MEETING DATE. NON-COMMERCIAL SWAP SHOP ITEMS-FREE OF CHARGE.

SUBSCRIPTION/ADVERTISING MANAGER:

Bob Fischer, WB2YEH
7258 Walnut Avenue
Pennsauken, NJ 08110
(609) 665-8488

EDITOR:

Harry Brown, W3IIT
3012 Potshop Road
Norristown, PA 19403
(610) 584-4846
hbrown@vf.lmms.lmco.com
hbrown@voicenet.com

CLUB TREASURER:

Dave Mascaro, W3KM
1603 Mink Road
Ottsville, PA 18942
(215) 795-2648
dmascaro@gic.gi.com

AWARDS CHAIRMAN:

Bob Fox, W3GXB
(610) 346-8698

TRUSTEE OF CLUB CALL - W3CCX

Ron Whitsel, WA3AXV
rwhitsel@aol.com
(215) 355-5730

PACKRAT 222 MHz REPEATER - W3CCX/R

222.98/224.58 MHz, Churchville, PA FN20LF

OFFICERS: 1996-1997

PRESIDENT:	WA3NUF	Phil Miguez, pmiguez@gic.gi.com
VICE PRES:	N3AOG	Dick Comly, 1042422614@compuserve.com
REC. SECR:	WA3AQA	Walter Zumbach
TREASURER	W3KM	Dave Mascaro, dmascaro@gic.gi.com
COR. SECR:	KB3XG	John Sorter, JohnKB3XG@aol.com
DIRECTORS:	N3DQZ	Jack Kauker (2 Yrs) jkauker@voicenet.com
	WA3AXV	Ron Whitsel (2 Yrs) rwhitsel@aol.com
	N3OZO	Don Schwartzkopf (1 YR)
	WB3KRW	Steve Dallas (1 YR) sdallas@erols.com

MONDAY NIGHT NETS

<u>TIME</u>	<u>FREQ.</u>	<u>NET CONTROL</u>
7:30 PM	50.150 MHz	K3EOD
8:00 PM	144.150 MHz	N3ITT/AA2UK
8:30 PM	222.125 MHz	WB2YEH/N3EXA
8:30 PM	224.58R MHz	W3GXB
9:00 PM	432.110 MHz	WA3AXV
9:30 PM	1296.100 MHz	WA3NUF
10:00 PM	903.100 MHz	N3AOG

COMMITTEE CHAIRMEN

LADIES' NIGHT: N3AOG 215-443-9965
JUNE CONTEST: WA3AXV 215-355-5730
HAMARAMA: WB3JYO 609-538-1687
VHF CONFERENCE: KB3XG 610-584-2489

PACK RAT BEACONS - W3CCX/B FM29JW

432.298 MHz 903.071 MHz
1296.262 MHz 2304.034 MHz



THE AMERICAN RADIO RELAY LEAGUE

KAY C. CRAIGIE, WT3P
DIRECTOR, ATLANTIC DIVISION

5 Faggs Manor Lane
Paoli, PA 19301-1905
(610) 993-9623

wt3p@arri.org



THE AMERICAN RADIO RELAY LEAGUE

Bernie Fuller, N3EFN
VICE DIRECTOR, ATLANTIC DIVISION

17668 Price Road
Saegertown, PA 16433
814-763-1529

n3efn@arri.org

STEVEN N. WHITE
Attorney at Law

2217 PALOMINO DRIVE
WARRINGTON, PA 18976

TEL: (215) 343-6902
FAX: (215) 343-6903

Calendar of Coming Events - March 1997

- 1 Shore Points ARC Springfest 96 at Holy Spirit High School, Rte 9, 1/2 mile S. of Rte 30 in Absecon, NJ. TI on 146.385/985. For information, contact John Barbari, KB2HZU at 609-653-1987.
- 1-2 ARRL International DX Contest (phone). See page 104 of the Dec. Issue of QST for rules.
- 13 Packrat Board of Directors Meeting at the QTH of Dave, W3KM. All interested parties welcome. Starts at 8:00 P.M. Call 215-795-2648 for directions.
- 16 Keystone VHF Club Hamfest and Computerfest at the Dover Fire Hall, Rte. 921 (CanalSt.), Dover, Pa. VE exams will be given. Talk-in on 146.37/97. VE exams will be given.
- 17 St. Patrick's Day.
- 20 March meeting of the Mt. Airy VHF Radio Club at 8:00 P.M. at the Southampton Free Library on Street Rd. The program will be the annual HOME BREW Night. Bring your successes, failures and works in process to share with all. You do not have to be a member to enter. All interested VHFers and microwave enthusiast are welcome. Prizes will be awarded in several categories.
- 22-23 European EME Contest, 144 and 1296 MHz portion sponsored by DUBUS. See March QST, page 98 for rules.
- 23 Delaware Valley Radio Assn Hamfest will be held at the Tall Cedars of Lebanon Picnic Grove near Trenton NJ. TI on 146.07/67.
- 27 LEAP INTO THE MICROWAVES with the Packrats! 903 and above. Starting on the 4th Thursday of the month and continuing every 4th Thursday of the month operate from 8 to 10 PM local time on any band 903 MHz and above. For coordination on those difficult long haul contacts 144.260 MHz is the suggested liaison frequency. So here's your chance to fix what broke in the contest and work all those stations you missed.
- 28 Good Friday
- 30 Easter Sunday

JAN. '97 ARRL VHF SS CONTEST RUMORED SCORES - CLUB COMPETITION

Mt. Airy VHF Radio (Pack Rats) club score: 2.9 Million/57 logs (Unlim.)
North East Weak Signal Group club score: 2.3 Million/40 logs (Medium)
Northern Lights Radio Society club score: 0.5 Million/55 logs (Unlim.)

January Contest Results- The Packrats Strike Back

By: Al, N3ITT

The Pack Rats are BACK!! Yes, the results are in and the FAT LADY has sung, along with some nice fat scores from many Pack Rats. As most of us know by now, a superb club effort in this year's Jan SS has yielded a score of 2,886,271 points with 56 logs to put us back into the Unlimited Category! In fact, the club had 61 members on the air for the contest - Good Show! Thanks to all of the Pack Rats that took time to get on the air and make this all possible.

At this time, I would like to express special thanks to those who helped organize this year's effort. Team Captains - WA3AXV, W3IIT, K3GNC, WB3JYO, and AA2UK. Thanks to K3MFI (Team Projections) - K3GNC ("Fearless Forecast" Oct. Letter Editor) - WA3NUF (Contest Clock, DX List - kept me on my toes) - W3KM (Pack Rat Check Sheet, Microwave Activity Lists, Packrat Directory, Computer Logging Program updates and upgrades, technical support, Contest Results tracking and comparison software, etc, etc.) - W2SJ (our gracious host for the wrap-up session -TNX Bob) - W3GXB (the enormous job of Awards Chairman whose job is just beginning as mind ends!) - YOU GUYS made this happen.

With all these huge scores and success stories, could many of us still have a good story for crying towel night? You betcha!! The Feb. meeting featured some of the most hilarious stories I've ever heard.

The tale told by KB3XG had all the elements of a block buster Hollywood comedy and then some. After all that happened, it's a wonder John still had the energy or time to operate at all. In my opinion, K3GNC, was a close runner-up (Didn't I mean mention something about the importance of easy band switching in the last few months?). Notably missing at the meeting was AA2UK (due to illness). Rumor has it that Bill's story could have been a contender - perhaps a Cheese Bits article is in order - Give us details Bill!!

Well, that's about it. Time now to look for next year. With the Jan SS over, the next big event is , of course, the June Contest. I hope that everyone who supported the club's January effort will plan on doing what they can in June whether it's coming up to the mountain, helping supply or repair equipment, or working W3CCX from home. Look for this column to be replaced with updates from Ron, WA3AXV, on the June Contest effort,

At this time I'm still undecided on taking this job next year, but you know it was so much fun....??

ARLB012 FCC PROPOSES CHANGES IN SPREAD SPECTRUM REGS

Responding to a petition for rulemaking from the ARRL, the FCC has proposed in WT Docket 97-12 to adopt changes in its amateur Service rules governing spread spectrum. In spread spectrum the energy of the transmitted signal is distributed among several synchronized frequencies within a band and reassembled at the receiving end. This reduces power density and duration of a transmission on a particular frequency and lets spread spectrum almost invisibly share the same spectrum with users of other, narrowband modes. Spread spectrum also provides for improved communication under poor signal-to-noise conditions and in selective fading and multipath environments, and the ability to accommodate more communication channels operating simultaneously in the same spectrum.

The League's December 1995 petition asked the FCC to relax its rules to give Amateur Radio more opportunities to contribute to the development of spread spectrum techniques. Specifically, the League sought to have the FCC relax restrictions on spreading sequences and asked for greater flexibility in spreading modulation. In response, the FCC now has proposed to drop rules restricting amateur stations to transmitting only frequency-hopping and direct-sequencing spreading techniques. As requested by the League, the FCC also has proposed to require automatic power control for spread spectrum transmitters, to ensure use of the minimum power level needed to carry out communication.

The FCC also went along with the League's request to permit brief test transmissions using spread spectrum and to allow international spread spectrum communications between amateurs in the US and those in countries that allow hams to use spread spectrum. The current rules allow only domestic communication.

The use of spread spectrum techniques was first approved for Amateur Radio in 1985 for bands above 225 MHz and at power levels up to 100 watts, and there has been some experimental amateur operation since then. The FCC also has authorized Special Temporary Authority (STA) in some instances to allow broader SS experimentation. Since spread spectrum was introduced in the Amateur Radio service, commercial spread spectrum applications have been developed, including personal communication services, remote meter reading and position locating. But, the League had argued that rules limitations held back further spread spectrum experimentation. No changes are proposed in the frequency bands where spread spectrum is permitted.

The FCC said the rule amendments would "increase spectrum efficiency and allow amateur operators to contribute to technological advances." Comments on the NPRM in WT Docket 97-12 are due May 5, with reply comments due June 5.

EDITORS VIEW ON ARLB012 FCC PROPOSES CHANGES IN SPREAD SPECTRUM REGS

By Harry, W3IIT

When the ARRL proposed changes in the regulations to allow spread spectrum, there were many objections to the change from the weak signal community. The discussion on the Internet VHF Reflector was very heated. The problem lies in the potential for increasing the noise level to stations that have real weak signal capability, i.e. those with EME, satellite and scatter capability. The pro SS responses did little to calm the fears of weak signal advocates. There was no reported studies or actual tests reported that indicated that noise levels would not increase by many 10's of dB's. AMSAT's response included calculations of the increase in noise levels that were not refuted by responses of SS advocates. If you are operating or contemplating operating in weak signal modes it is important that you research this matter to determine the impact. If you are operating your HT through a local repeater, don't worry about it. I believe that the ARRL thinks that they are doing the right thing, but I have seen little technical evidence that the proposal will provide the intended results.

One objective is to increase the utilization of frequencies. SS will do this in my opinion by using what is called frequency reuse. This is what is done in cellular phone systems. Areas of the country are divided into small cells (small ones in densely populated areas and larger in the countryside). Power levels are adjusted so that signals do not interfere with users in other cells. This obviously results in an increased use of frequencies but it also means that there is nothing like DX, even a VHFers idea of DX. I'm simplifying this a little but this is my view of the situation. The changes do not require the use of cell type repeaters and simplex is used and the SS equipment is very tolerant to interference. It is also not friendly to CW and SSB modes of operation that can operate at much lower carrier to noise ratios. Readers are invited to correct my view of things and to add their technical knowledge to the subject.

Mt. Airy VHF Radio Club, Inc.
 'The Pack Rats'
 January 1997 VHF Sweepstakes Contest

Total Logs: 56

Total Club Score: 2,886,271

Call	Contacts and Grids per band														Total		Score				
	50 MHz		144 MHz		222 MHz		432 MHz		903 MHz		1.3 GHz		2.3 GHz		3.4 GHz			5.7 GHz+		Contacts	Grids
WC2K	161	30	322	37	109	24	119	28	41	16	53	17	29	7	12	2	7	2	853	163	276,937
WA3AXV	129	30	249	27	118	20	139	20	49	14	64	16	31	7	18	2	17	4	814	140	262,080
AA2UK	70	19	251	35	85	25	100	31	42	14	63	19	27	7	8	2	12	4	658	156	231,972
WA3NDF	81	10	261	28	94	19	118	22	44	11	60	14	28	5	16	2	5	2	707	113	177,862
WB3JYO	107	18	225	27	94	17	116	19	41	9	54	10	23	3	14	2			674	105	149,940
W2UR	99	21	161	22	68	18	83	20	43	12	52	11	22	4	11	2	6	2	545	112	140,448
W3OR	108	28	219	36	62	21	95	30	34	14	39	16	1	1	1	1			559	147	139,503
WB3RRW	93	20	252	25	94	22	115	23	34	11	53	14							641	115	127,765
N2SB	119	17	172	21	80	20	68	17	38	10	41	7	21	4	14	2	5	2	558	100	122,300
N3EZA	129	14	218	22	93	16	105	17	45	9	53	7	26	4					669	89	119,527
W3KM	46	8	193	24	75	18	80	15	36	7	45	8	19	3	3	1			497	84	88,116
W2SK	66	8	188	20	51	5	73	13	36	7	38	5	22	3	12	2	7	3	493	66	74,316
WB2YEH	61	8	142	14	76	10	94	11	40	8	49	7	21	3	10	2			493	63	72,261
K3GNC	43	7	163	24	45	6	95	20	25	6	26	4	10	2					407	69	53,130
W3NGE	68	13	103	15	35	12	68	16	23	9	35	8	13	4					335	77	51,821
N3ITT	94	20	173	16	59	7	83	11	25	3	31	4							465	61	47,275
NK8Q	124	26	176	17	46	6	72	9			11	2							429	60	34,800
AK3D	62	9	93	12	58	6	57	6	26	3	33	2	17	2					346	40	30,280
N3AOG	51	4	125	14	58	6	54	4	27	2	30	2	13	2	8	2			366	36	28,656
W3GAD	104	16	168	17	57	4	93	10											422	47	26,884
K3IUV	69	13	130	17	66	7	64	8			16	2							345	47	24,581
KE31B	38	4	76	12	46	8	53	6	21	5	31	6							265	41	21,320
K3MF1	85	9	185	12	43	3	82	6	7	2	19	2							421	34	21,216
WA3EHD	65	10	157	16	54	3	55	6			28	2							359	37	20,424
WA3RQA	68	8	129	14	54	8	48	7			24	2							323	39	19,383
W3KKN	87	11	87	7	39	4	51	3	20	2	31	2	8	2					323	31	19,282
W3GXB	57	11	95	14	29	10	38	4	15	2	15	2							249	43	17,458
WB8ZAR	58	11	96	12	46	9			16	4	12	3	4	1					232	40	15,600
K3EBZ	70	15	92	10	40	3	66	5											268	33	12,342
N3DQZ	60	9	72	11	40	5	42	7			15	2							229	34	12,104
KE3XG	17	2	19	3	18	2	22	3	18	2	18	2	14	2	12	2	9	4	147	22	11,880
AA3GN	41	2	158	21			40	4	20	2									259	29	10,411
W3IIT	36	2	137	22	51	6	22	2											246	32	10,208
N3BMY			162	13	27	2	85	6											274	21	8,106
N3GSA	49	8	96	9	31	2	29	5											205	24	6,360
WA3RLT	31	4	78	14			35	7			12	2							156	27	6,129
WA3IAC	5	2	80	3	37	2	45	7	19	3									186	17	5,525
K3ESJ			120	6	54	4	38	3											212	13	3,952
W3HFY	26	4	25	5	20	3	26	4	10	2	3	2							110	20	3,900
WB2VLA	34	3	38	8	16	2	19	3	7	2									114	18	3,060
KE3PD			31	7	26	9	25	7											82	23	3,059
K3PHY			133	7	30	2			15	2									178	11	2,783
N3OZO	35	3	74	6			38	3											147	12	2,220
KD3A	19	3	31	3	17	3	25	5											92	14	1,876
N2DEQ			102	8	10	2													112	10	1,220
WA2GFP			44	4	22	2	14	2											80	8	928
N3NID	1	1	40	3	1	1	6	1											48	6	330
W3HMO	30	7			3	1													33	8	288
KA3KGB			47	4															47	4	188
K3BPP			16	2	12	2													28	4	160
W3HK	4	1	2	1	4	2	1	1											11	5	80

Multi-Ops Call	Contacts and Grids per band															Total		Score			
	50 MHz	144 MHz	222 MHz	432 MHz	903 MHz	1.3 GHz	2.3 GHz	3.4 GHz	5.7 GHz+	Contacts	Grids										
WORSJ w/WORSJ WB2DMA KD2IX N3XGE + NET	242	36	324	32	57	13	72	19	7	2	20	4	11	4	3	1	736	111	115,884		
WA2OMY w/WA2OMY WA3YUE	137	23	260	29	78	13	78	17	26	5	33	5	14	2	1	1	5	3	632	98	108,290
K3EOD w/K3EOD N3DG WA3IAC WR3P WP3W	179	34	427	27	86	6	107	6	21	2	21	2							841	77	89,320
WA3U w/WA3U KB3PD	73	12	183	25	45	10	73	12	7	4	12	4							393	67	38,056
K3DMA w/K3DMA DAVE TAYLOR + NET	72	6	87	6	60	7	62	4			24	2							305	25	12,475

WEAK SIGNAL GROUP DINNER at DAYTON

By: Tom Whitted WA8WZG

The WEAK SIGNAL GROUP that meets on 3.843 MHz. would like to invite everyone that is coming to the DAYTON HAMVENTION to our Annual Banquet. We have reserved a room, that will seat 150, on Friday night MAY 16th, from 7:00 PM until 11:00 PM, at the HOLIDAY INN NORTH, Waggoner Ford Road, Dayton, Ohio. There will be a cash bar as well as plenty of seating to allow you to mix and mingle with other VHFers from all over the country and the world. There will be over 50 prizes with two grand prizes worth over \$300 dollars each being drawn after the dinner. Also, there will be a guest speaker who will provide a short talk on VHF activity. There will also be a noise figure measuring table so bring your preamps to tweak.

The cost of a ticket to attend this function which includes the 2 entree Banquet dinner, is only \$29.00 per person, and they are limited to 150 tickets. You may order your tickets by sending \$29.00 plus an SASE to either Tony Emanuele, WA8RJF, 7156 Kory Court, Concord Twp., Ohio 44077 or TOM WHITTED 4641 Port Clinton East RD. Port Clinton, Ohio 43452

This is one of the largest gathering of Vhf weak signal enthusiasts in the U.S., So get your tickets early and join us for an enjoyable evening at the DAYTON HAMVENTION!

TID BITS

Bob Fischer, W2SJ, (formerly WB2YEH) is now on e-mail. His address is: FNSF57A@PRODIGY.COM

The FCC has designated a new, toll-free (WATS) number for Amateur Radio license inquiries--including inquiries about vanity and new call signs. The new number, 888-225-5322, will connect callers to the FCC National Call Center, handled by the FCC's Consumer Information Bureau. Callers to the old consumer information number will get a message referring them to the new number.

SWAP SHOP:

(send all ads to the editor)

FOR SALE: Twentytwo issues of the Eimac/Varian EME notes by W6PO. Not a complete set. Send me five bucks to cover postage. Contact Guy Black, W4PSI, at 540-722-4952 or wpsj@visuallink.com.

FOR SALE: Aluminum cabinets and chassis kits, and other aluminum enclosures, small sheets of aluminum and brass, antenna power dividers, VHF and UHF antenna parts. FOR CATALOG: E-MAIL, PHONE/FAX (717)292-4901, PHONE BETWEEN 6:30 AND 9:30 P.M. EST FAX 24 HOURS THANKS BYERS CHASSIS KITS CHARLES BYERS K3IWK

WANTED: RF Concepts or Mirage 432 MHz Amp, 10 watts in/100 watts out. Contact Lou, NB2T at 718-445-5653.

CHEESEBITS SUBSCRIPTIONS

Cheesebits subscriptions are available to everyone interested in activities and information from the VHF through the microwave frequencies. Subscriptions are for 1 year of 12 issues. For a subscription, send the following information:

Name: _____ Call: _____

Street Address: _____

Town: _____ State: _____ ZIP: _____

Subscription Rate: \$10.00 per year (USA), \$12.00 (Canada), \$15.00 (Worldwide)

March 1997 Send to: SUBSCRIPTION/ADVERTISING MANAGER:

Bob Fischer, W2SJ
7258 Walnut Avenue
Pennsauken, NJ 08110

VHF+ NEWS & ACTIVITY

By Jerome Byrd, K3GNC

THE CONTEST RAVEN □ PART III

AND WITH 1296 QSOs UNCERTAIN 2304S NOISY CURTAIN THRILLED ME - FILLED ME WITH FANTASTIC CONTEST TERRORS NEVER FELT BEFORE: SO THAT NOW, TO STILL THE BEATING OF MY HEART, I STOOD REPEATING TIS MURPHY ENTREATING DESTRUCTION TO MY CONTEST SCORE - SOME ROTTEN MURPHY LAW ENTREATING DESTRUCTION TO MY CONTEST SCORE, -- THAT IS IT AND NOTING MORE.

To Be Continued...

ON THE BANDS:

AURORA! AURORA Well I guess it was not that exciting, but at least we had one. It occurred around dinner time - 2-27-7. I got into it at about 2300 UTC. I worked AA2AV (fn13), N4PZ (en52), K9MRI (en70). Six meters was obviously open also, but I received no reports on the activity. Even with the quite frequent warming trends we have been receiving this winter, significant Tropo openings have not occurred. Six meters E skip will probably be silent until it bursts forth on to the scene in a month or two.

STATION WATCH:

N4UK, Ken in EN84 has been testing the brute force range tropo scatter limits with 500+ mile scheds with other equally equipped stations on 144 and 432. Results have been encouraging. Bill, AA2UK has worked him, and other Packrats like W3OR, WB3JYO,..... are encourage to try.

WHERE OH WHERE IS CARMEN SANDIEGO:

Does anyone know the health, where-about of Jim - W8AC (EN91)? He use to be somewhat of a regular into this area.

LET LOOSE THE DOGS OF WAR:

Look else-where in this issue for the PACKRATS sterling contest performances. I will give my post-contest assessment in the next issue.

Six Position Transverter IF Switch

by Dave Mascaro, W3KM

The IF switching unit described here uses two different designs. Standard relay type switching in addition to PIN diode type switching. The unit I made had 6 ports with relays and another group of 6 using PIN diodes. Your unit can be made with a single tier if the IF being used is transceive (both RX and TX at one port).

Obviously the easiest and best performing relays to use would be the multi-port SMA RF relays, but they are quite costly. The relays I used were pc board mounted G4Y 24V coil types that I had in my junk box. Better relays like the Omron G5Y are smaller, have 12V coils and have better isolation specifications. The G5Y can be purchased from Down East Microwave, as well as other mail order houses. The switchbox measured quite good actually and can be used with either a 28 MHz or 2 Meter IF. The addition of a small coax relay external to the switchbox and some additional control circuitry would allow both 28 MHz and 2 Meters to be switched in your shack.

Although I use photo-etch processes or a milling unit to make pc boards, the boards shown can be made using more common techniques like Exacto-etch or tape resist etching methods. The relay artwork would need to be modified to use with relays other than the older G4Y units I used.

A 4-section 6 pole non-shorting wafer switch was used to change bands. In addition to selecting the relay and PIN diode switches, the wafer switch moves the IF transceiver's keying line to the appropriate transverter. The fourth wafer could be used to turn off the unused transverter IF post amplifiers to increase the RX isolation. To make transverter switching as simple as possible, all transverters should be self contained, requiring only a switched keying line and a switched IF to operate.

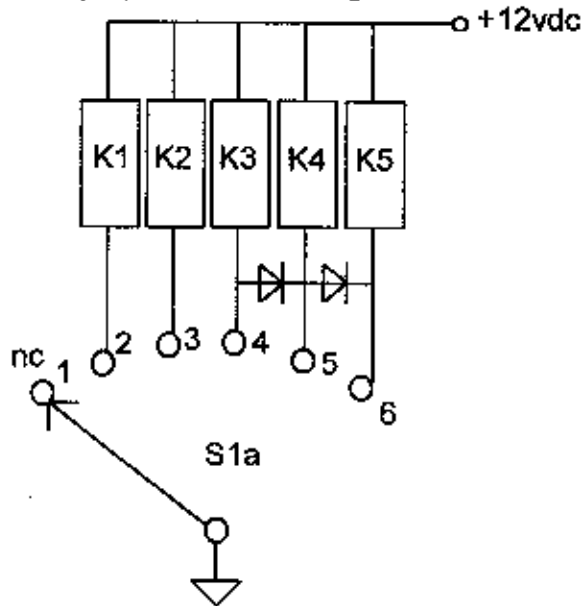
Relay type and PIN diode type switches can be used for either TX or RX. The choice is yours. The PIN diodes I used were capable of switching many watts, so the possibility of generating distortion when switching milliwatts was not a concern. The thru loss in TX or RX of either type is insignificant when switching transverters. The parameter that is important is isolation. You want to minimize the feed-thru of strong signals from the other transverters.

Editors Note: This is a multi-part article. The remainder will be in the next issue of Cheesebits.

Multi-Port Transverter IF Switching

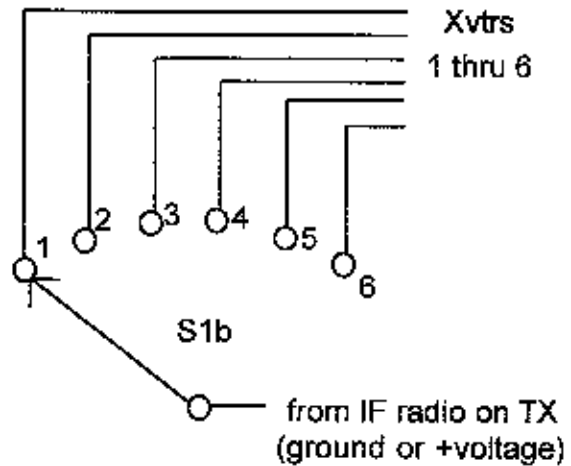
by Dave Mascaro, W3KM

Relay type RF switching unit



K1 thru K5 have diodes across each coil

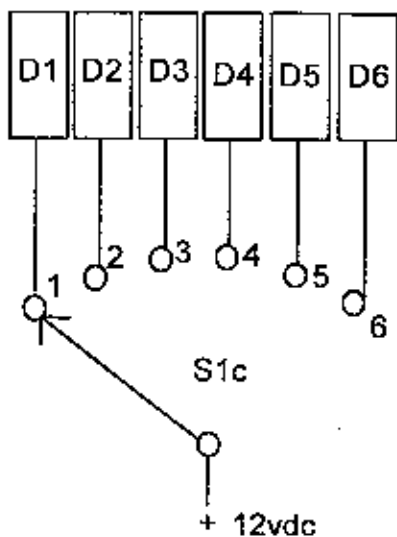
Keying line switching



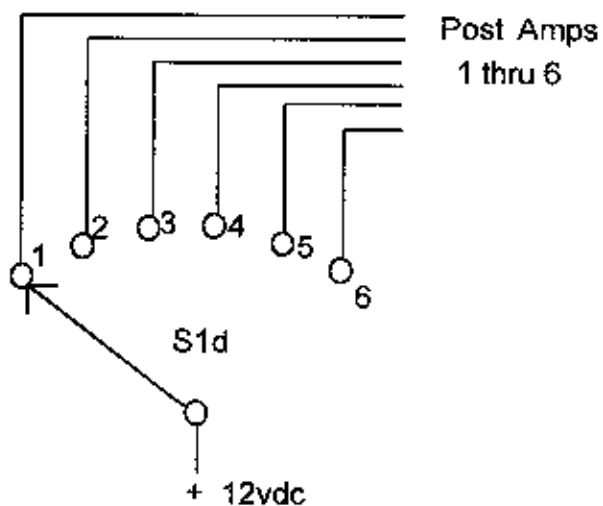
S1a,b,c,d = wafer switch sections

The IF switching can be configured for separate RX and TX, or single line Transceive operation. For the latter, the RF switching between the mixers is done inside the transverter. Obviously, 2 RF switching units must be used for separate RX and TX.

Pin diode type RF switching unit



IF Post Amplifier dc switching



NOW THEY'RE AFTER 220 MHz - EXCERPTED FROM THE ARRL LETTER, February 14, 1997, Vol. 16, No 7.

Commercial satellite interests seeking access to bands below 1 GHz—including amateur allocations at 146 and 430 MHz—now have added 220 MHz to their wish list. For the first time, Little LEO (low-earth orbiting satellite) interests have proposed including 219-225 MHz in their list of desired allocations for the non-voice, non-geostationary (NVNG) mobile-satellite service (MSS). The move was contained in the industry's so-called flexible allocation proposal, delivered at the February 13, 1997, meeting of FCC Informal Working Group (IWG) 2A. Little LEO targets now include 146 to 148, 219 to 225 and 430 to 450 MHz. The ARRL and AMSAT were among those objecting to the concept, and the League is urging those who agree with their position to comment to the FCC by March 4. IWG-2A has been preparing draft proposals for the 1997 World Radiocommunication Conference (WRC-97). These will be reviewed during a March 5 meeting of the FCC's WRC-97 Industry Advisory Committee that is preparing draft proposals for consideration by the United States as it gets ready for WRC-97.

The ARRL and AMSAT statement said the latest proposal affecting amateur allocations in the 219 to 225 MHz segment came at the last possible moment and without any technical support whatsoever. The League and AMSAT pointed out that the little LEO proponents have had more than a year to complete a technical study of the possibilities of sharing with the amateur services in the 144 to 148 MHz and 420 to 450 MHz bands. They have not demonstrated compatibility for sharing these amateur bands but over the evolution of their document have proposed various new ideas for use of these bands.

The little LEO flexible allocation strategy for WRC-97—submitted as IWG-2A/86 (Rev. 6)—is to propose broad allocations. The apparent theory is that most administrations would find reasons to oppose little LEO use of specific bands in the crowded spectrum below 1 GHz, but that a broad allocation would permit different implementations in different countries depending on local circumstances.

At the February 13 meeting, a coalition of spectrum interests—including land mobile, amateur, broadcasting, and military—opposed the flexible allocation concept on three grounds: that the concept is simply an invention to avoid performing technical sharing studies that would demonstrate the unfeasibility of sharing; that it is inconsistent with decades of ITU allocations practices; and that, if adopted, the concept would be counter to US interests. The coalition document is identified as IWG-2A/107.

The ARRL and AMSAT submitted a further statement of opposition, citing the absence of any technical studies that might support sharing with the amateur service or the amateur-satellite service and pointing out that the little LEOs have completely mischaracterized the nature of ITU Resolution 640 regarding the use of certain amateur bands in the event of natural disasters. The ARRL/AMSAT paper, revised to reflect opposition to the late proposal to include 219-225 MHz, is identified as IWG-2A/108 (Rev. 1).

Amateurs also might find interesting the comments of the Department of Defense, identified as IWG-2A/101 (Rev. 1). These address the 430 to 450 MHz segment the Little LEOs seek to share.

Anyone wishing to register support for the ARRL/AMSAT submission should send a brief e-mail message to wrc97@fcc.gov. The subject line should say Reference No. ISP-96-005 IWG-2A. A simple statement to this effect, I support the ARRL/AMSAT opposition to the NVNG MSS flexible allocation proposal, will be included in the public record and will help to drive home the point that there is broad-based opposition to poorly conceived sharing proposals. (Also see the FCC Public Notice: Procedures for Submitting Comments to the WRC-97 Advisory Committee.)

Please note! The proposals the League opposes are not FCC proposals, nor are they endorsed by any other branch of the government. They are industry proposals. The League's objective is to demonstrate there is broad citizen opposition to the industry proposals, so the government will not adopt them as US proposals. So, please don't flame the FCC if you comment.

Copies of the relevant IWG-2A documents, including the Little LEOs proposal and the ARRL/AMSAT response, are available for download.

Additional arguments or evidence also are welcome. Important! Comments should reach the FCC no later than March 4, 1997!

"MICROWAVE EMAIL LIST AND REFLECTOR"

FROM the WA1MBA Homepage <http://www.WA1MBA.ORG>, "Microwave Email list and Reflector"

There are THREE reflectors you can join - East of the Mississippi, West of it, NonUS. There are FOUR reflectors you can post messages to - East, West, NonUS and everyone. Please note. THESE REFLECTORS ARE NOT FOR COMMERCIAL USE. They are only for AMATEUR MICROWAVE INTERESTS.

DON'T POST ANY MESSAGES ABOUT ANYTHING TO DO WITH ACTIVITIES AND BANDS BELOW 903 MHz. Use various VHF reflectors for the 432 and lower bands. Most traffic will be about 2304 and above. If I see traffic about the DC bands or people trying to find a home for their tri-banders, I will start to censor the email! If you think things are getting out of hand, send mail directly to tomw@wa1mba.org (thanks).

Results of Team Competition 1997 January VHF SS Contest

Team # 1 W3IIT KU3A K3IUU WA2OMY KB3XG K3DMA WA3EHD W3KKN
W3OR K3ESJ N3NGE W3GXB AK3O WA3U WORSJ
Team participation = 100%
Number of new bands = 10
Bonus points = 15000
Score = 620970

Team # 2 WA3AXV WB3KRW WA3AQA WA2GFP K3BPP K3PHY WA3IAC N2DEQ
KB3IB WB2YEH N3EMY WC2K
Team participation = 100%
Number of new bands = 5
Bonus points = 10000
Score = 808468

Team # 3 W2UR K2TXB AA2UK
Team participation = 67%
Number of new bands = 4
Bonus points = 4000
Score = 376420

Team # 4 K3GNC N3AOG W3HK K3EBZ KA3MGB NK8Q K3EOD N3NID
N2SB AA3GN W2SK W3HFY WA3NUF
Team participation = 100%
Number of new bands = 3
Bonus points = 8000
Score = 615635

Team # 5 WB3JYO N3DQZ N3GSA N3OZO WB8ZAR W3HMU WA3RLT N3EXA
N3ITT W3KM K3VRQ W3GAD K3MFI WB2VLA
Team participation = 93%
Number of new bands = 3
Bonus points = 3000
Score = 501719

The winner is team # 2 Score = 808,468 points !

"MICROWAVE EMAIL LIST AND REFLECTOR" CONTD.

Even if you are on my email list, you still need to SUBSCRIBE to the appropriate list in order to get things going- so here is how you SUBSCRIBE

Send a message to one of the following (sure, you can subscribe to two or three if you want) with no particular subject, but with the BODY OF THE MESSAGE HAVING EXACTLY THE FOLLOWING:

SUBSCRIBE

send to:

MicrowaveEast-request@walmba.org

MicrowaveWest-request@walmba.org

MicrowaveNonUS-request@walmba.org

Note that the above have the term "request" in the address. This is mandatory. Once you are on a list you can send the standard MajorDomo commands to the "-request" address to find out who else is on the list, etc.

In order to USE THE MAIL REFLECTOR, just send your traffic to one of the following addresses:

MicrowaveEast@walmba.org

MicrowaveWest@walmba.org

MicrowaveNonUS@walmba.org

Note that the simple form "Microwave@walmba.org" will send your traffic to ALL LISTS. You cannot sign up for the "microwave" list, it does not exist as a list, but rather as a group of lists.

The webmaster (WALMBA) will occasionally post messages regarding the website."

Just a note for you meteor scatter freaks : Ilkka Yrjola, OH5IY, author of "MS-Soft for PC", has opened a homepage at:
<<http://www.sci.fi/~oh5iy/>>.

(302) 478-2757

Since 1977

AMATEUR & ADVANCED COMMUNICATIONS

Amateur and Shortwave
Closed Sunday & Monday

GISELE
K3WAJ

3208 Concord Pike Rte. 202
Wilmington, Delaware 19803

609-541-0120
FAX 609-541-2546

Bob Fischer Company, Inc.

AERIAL LADDERS · CRANES · MANLIFT EQUIPMENT

BOB FISCHER
PRESIDENT

2765 LINCOLN AVE
CAMDEN, N. J. 08103



HARRIET SOLTOFF
TRAVEL CONSULTANT

616 SOUTH THIRD STREET
PHILADELPHIA, PA 19147

(215)
RES. 947-4483

THE R. F. CONNECTION

*"Specialist in
R F Connectors and Coax"*

Joel Knoblock
301/840-5477
Fax 301/889-3680

Order Line 800-783-2666
Suite 11, 213 N. Frederick Ave.
Gaithersburg, MD 20877

Graphic Design Illustration Production



Lynne D. Whitsel

209 Frog Hollow Road
Churchville, PA 18966
215 355-5730

RICHARD E. COMLY



TOOL, DIE & MACHINE CO., INC.
2055 BENNETT RD. PHILA., PA 19116



(215) 676-1300
FAX 614-8237

(215) 745-6173
(609) 266-3668
(800) 5-EASY-DO



COMPU-SIMPLE, INC.
COMPUTER APPLICATIONS FOR SMALL BUSINESS

ELLIOTT T. WEISMAN
Consultant

P.O. BOX 7161
WILMINGTON, DELAWARE 19803

AUTHORIZED DEALER
ROHN TOWERS

TEL 908-776-2822
FAX 908-775-5436

TELEX-HY-GAIN
ANTENNA SYSTEMS
ROTATORS
TOWERS

PILOT ELECTRIC CO., INC.
1300 HWY. #35
NEPTUNE, N.J. 07753

GENE PILOT



(215) 268-0325

W3HK

GEORGE S. VanDYKE, JR. P.E.

1737 Scattergood Street
Philadelphia, PA 19124

(609) 268-0736

RICHARD CONNOR



RECON Communications

- COMMUNICATIONS TOWER MAINTENANCE
- ANTENNAS, FEEDLINES, TOWERS INSTALLED
- TOWER PAINTING, RE-LAMPING, RE-GUYING
- RF SYSTEM TROUBLESHOOTING
- LIGHTNING PROTECTION, GROUND SYSTEMS

Emergency Service

412 Carranza Road
Tabernacle, N.J. 08068

MT. AIRY V.H.F. RADIO CLUB INC.

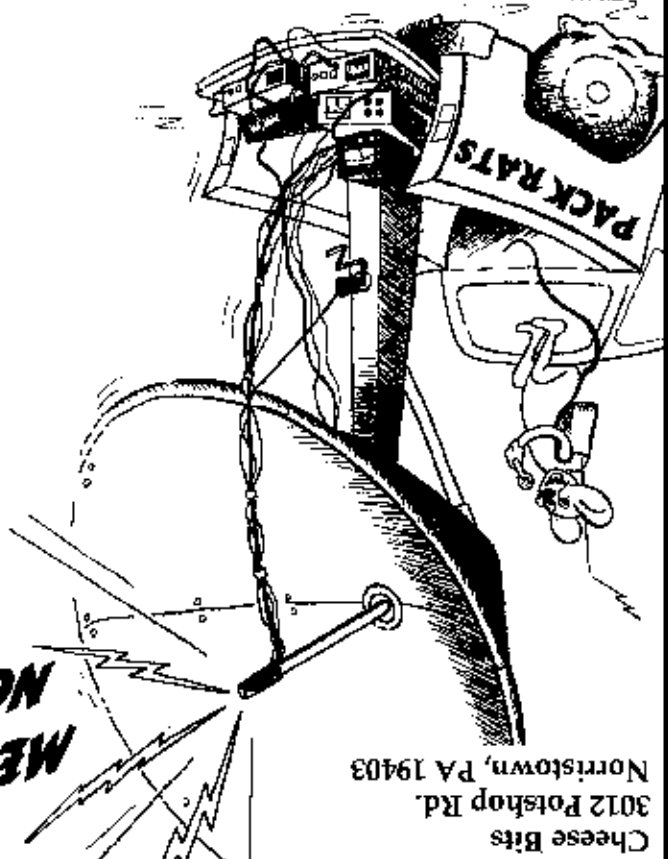
FIRST CLASS

DICK HUNTZINGER
W3FDD
130 FAIRHILL RD.
CHURCHVILLE, PA 18966

12/96

MEETING
NOTICE

Cheese Bits
3012 Potshop Rd.
Norristown, PA 19403



DOWN EAST MICROWAVE

Manufacturers and Distributors
of VHF/UHF/SHF Equipment and Parts
50 to 10,368 MHz

- Microwave Loop Yagis
- VHF/UHF Yagis
- No-Tune Linear Transverters
- Linear Power Amplifiers
- Low Noise Preamps
- Coax Relays, Coax Cable, Connectors
- Crystals, Chip Components, MMICs, Transistors, RF Modules

For All Equipment & Antennas:

Steve Kostro, N2CEI

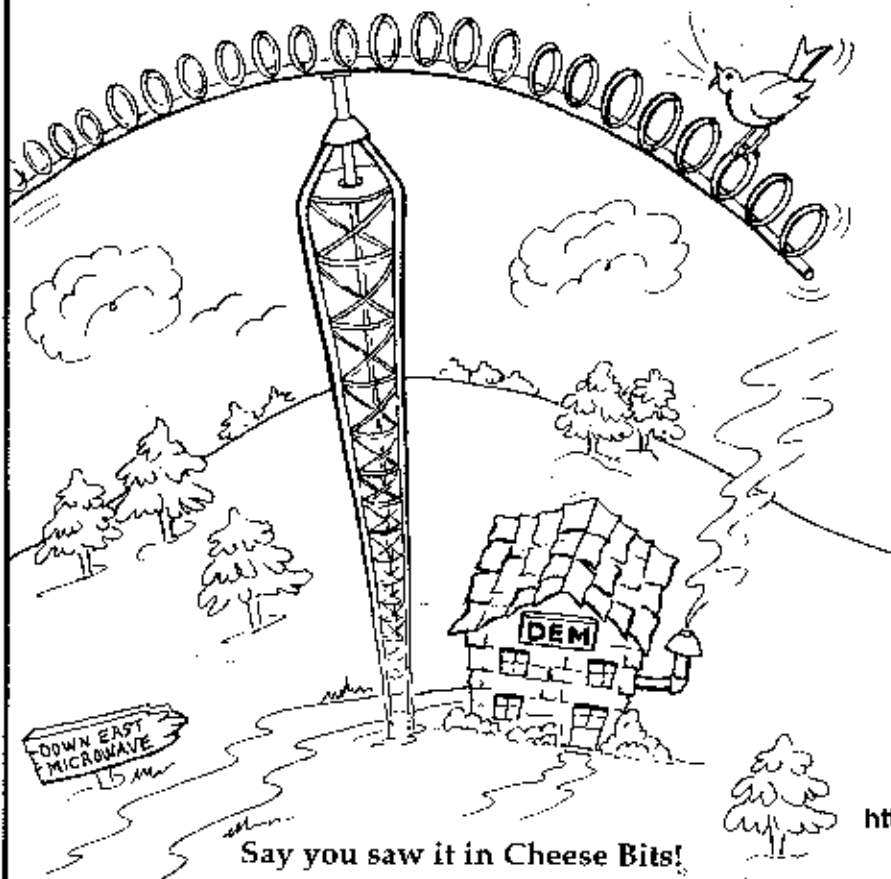
954 Rt. 519

Frenchtown, NJ 08825

Tel.. 908-996-3584

Fax. 908-996-3702

<http://www.downeastmicrowave.com/index.html>



Say you saw it in Cheese Bits!